



PALLMANN®

wood floors. protected

spare parts list

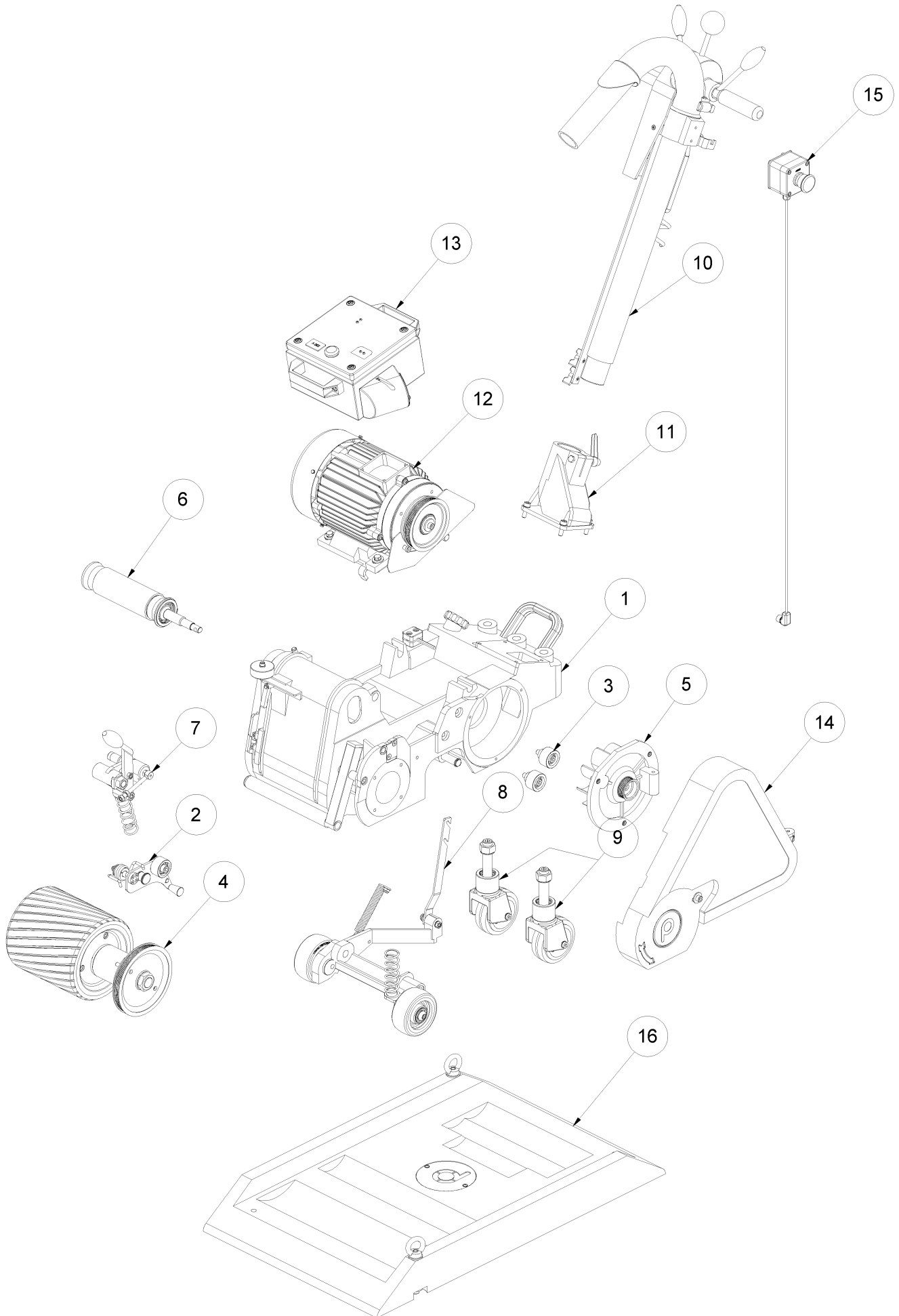
Pallmann Cobra Classic 240V USA



Table of contents

1 Pallmann Cobra Classic 240V USA (0001/2006-0313/2007)	3
1 Base support	5
2 Span roll holder	7
3 Pulley for belt	9
4 Sanding drum bearing	11
5 Fan	13
6 Tension roller	15
7 Roller clamo	17
8 Carriage	19
9 Caster	21
10 Handle	23
11 Dust pipe support	26
12 Motor	28
13 Motor Dietz 3,68kW/240V without cut-out	30
13 Switch housing	32
14 Belt protection hood	34
15 Safety switch	36
16 Travel Base	38
17 Circuit diagram	40
18 Tool kit #060281	42
19 Accessories	43

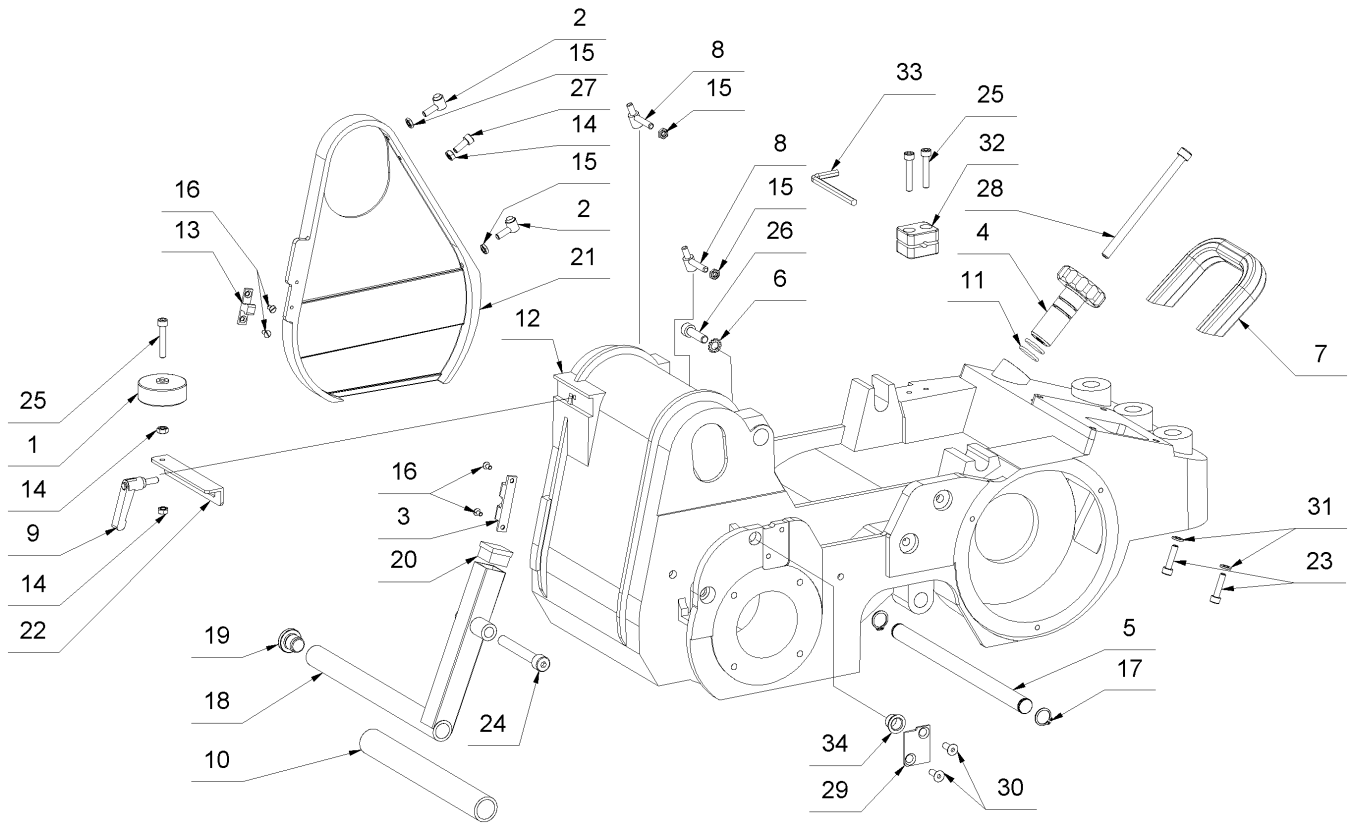
1 Pallmann Cobra Classic 240V USA (0001/2006-0313/2007)



1 Pallmann Cobra Classic 240V USA (0001/2006-0313/2007)

Item no.	Article no.	Description
1	01_01_074540	Base support
2	01_02_083934	Span roll holder
3	01_03_074540	Pulley for belt
4	01_07_062228	Sanding drum bearing
5	01_05_078527	Fan
6	01_09_016845	Tension roller
7	01_07_048500	Roller clamo
8	01_08_074540	Carriage
9	01_09_074570	Caster
10	01_10_075491	Handle
11	01_11_048702	Dust pipe support
12	01_12_074545	Motor
13	01_13_049186	Switch housing
14	01_14_074540	Belt protection hood
15	01_15_048644	Safety switch
16	01_19_064387	Travel Base
17	01_16_075491	Circuit diagram
18	01_19_060281	Tool kit #060281
19	01_17_079529	Accessories

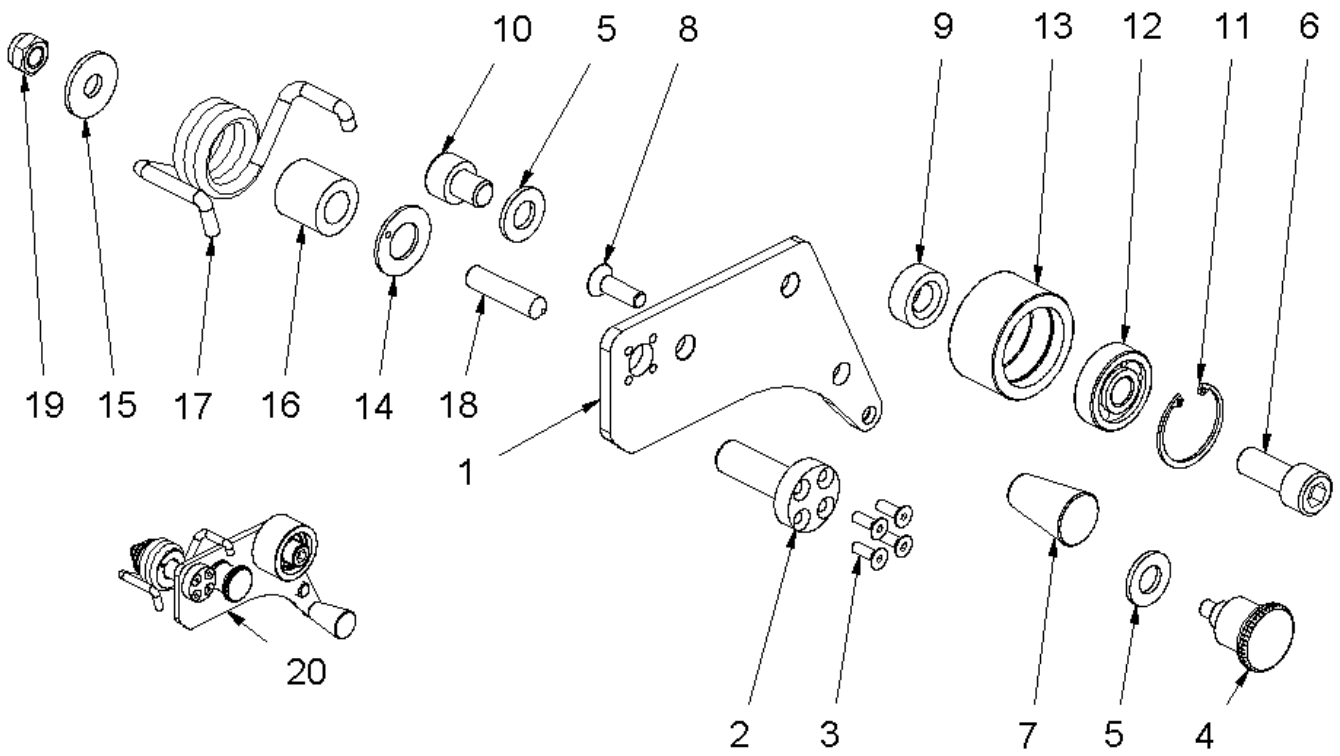
1 Base support



1 Base support

Item no.	Article no.	Description	Quantity
1	016177	Start-up wheel 2" Cobra/Viper/Python	1
2	016332	Cover hinge Cobra with nut	2
3	016328	Cover lock Cobra/Viper/Python	1
4	016327	Regular screw Cobra/ Python	1
5	016426	Chassis axle Cobra	1
6	016321	Spring washer A 8,4 DIN 6798	1
7	048585	Carrying bar behind Cobra/Python	1
8	016334	Hood-hinge with nut Cobra/Python	2
9	047212	Clamping lever M6	1
10	016440	PVC grip covering Cobra	1
11	043853	Marking ring black	2
12	074496	Machine chassis CobraClassic	1
13	016384	374/6.02 Lock notch Cobra/Viper/Python	1
14	014809	Hexagon nut M6 DIN 934	3
15	018666	Hexagon nut M6 DIN 936	4
16	018323	Countersunk screw M4x8 DIN 963	4
17	043891	Circlip A16 DIN 471	2
18	016439	Carrying strap Cobra	1
19	016442	Closing stopper Cobra/Python	1
20	019118	Stopper 25x25 x 11,5 black	1
21	016176	Rolling protection Cobra	1
22	016336	Slotted hole iron Cobra/Viper/Python	1
23	014731	Cylinder head screw M6x25 DIN 912	2
24	016441	Cylinder head screw M10x75 DIN 912	1
25	018264	Cylinder head screw M6x35 DIN 912	3
26	014736	Cylinder head screw M8x30 DIN 912	1
27	014729	Cylinder head screw M 6x16 DIN 912	1
28	016432	Cylinder head screw M8x35 DIN 6912	1
29	053221	Stop plate stop bolt Cobra 09	1
30	014756	Countersunk screw M6x16 DIN 7991 10.9	2
31	014827	Washer M 6DIN 125 A	2
32	079023	Camp f.key SW 6	1
33	014957	Hexagonal screw key SW6 DIN 911	1
34	018765	Bushing 1212 DU	1

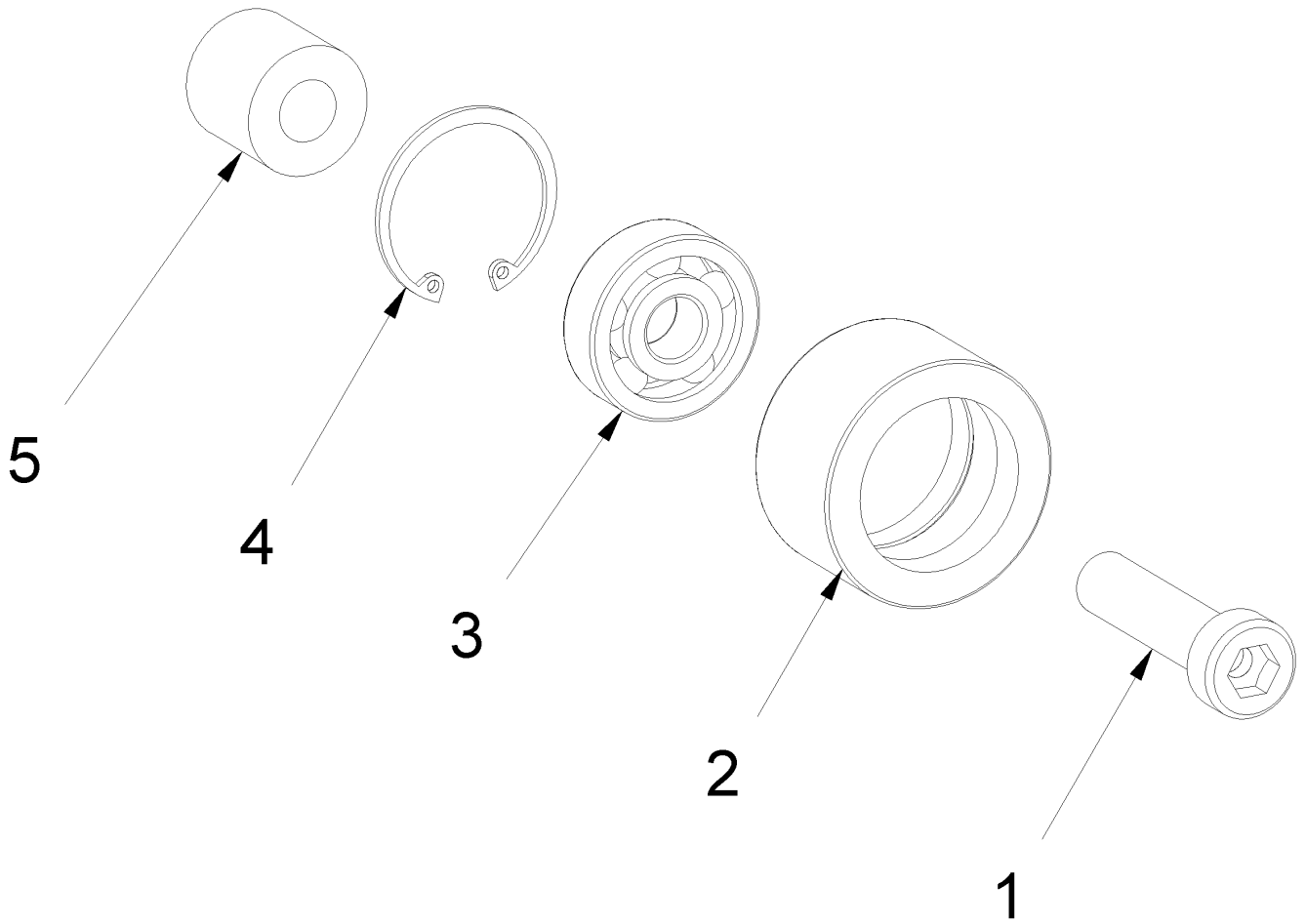
2 Span roll holder



2 Span roll holder

Item no.	Article no.	Description	Quantity
1	083884	Span roll holder	1
2	083879	Shaft with collar Tension pulley holder	1
3	017703	Countersunk screw M4x12 DIN 7991 10.9	4
4	052440	Arresting bolt	1
5	014829	Washer M10 DIN 125 A	2
6	049654	Cylinder head screw M10x25 DIN 912	1
7	083912	Knob cone 25mm SAM	1
8	014757	Countersunk screw M6x20 DIN 7991 10.9	1
9	052690	Distance bushing 21x10x8 Cobra 09	1
10	018302	Cylinder head screw M10x12 DIN 912	1
11	053318	Circlip I30 DIN 472	1
12	018353	Ball bearing 6200 2RS HS800	1
13	052468	Tension-/guide pulley Cobra 09	1
14	068574	Washer WC12DU 14x26x1,5	1
15	018737	Washer 8,4 DIN 9021	1
16	052487	Distance bushing Cobra 09	1
17	064322	Lag spring 5mm Cobra 09 Cobra 09	1
18	014790	Thread pin M8x35 DIN 913	1
19	014816	Hexagon nut M8 DIN 985	1
20	083934	Span roll holder	1

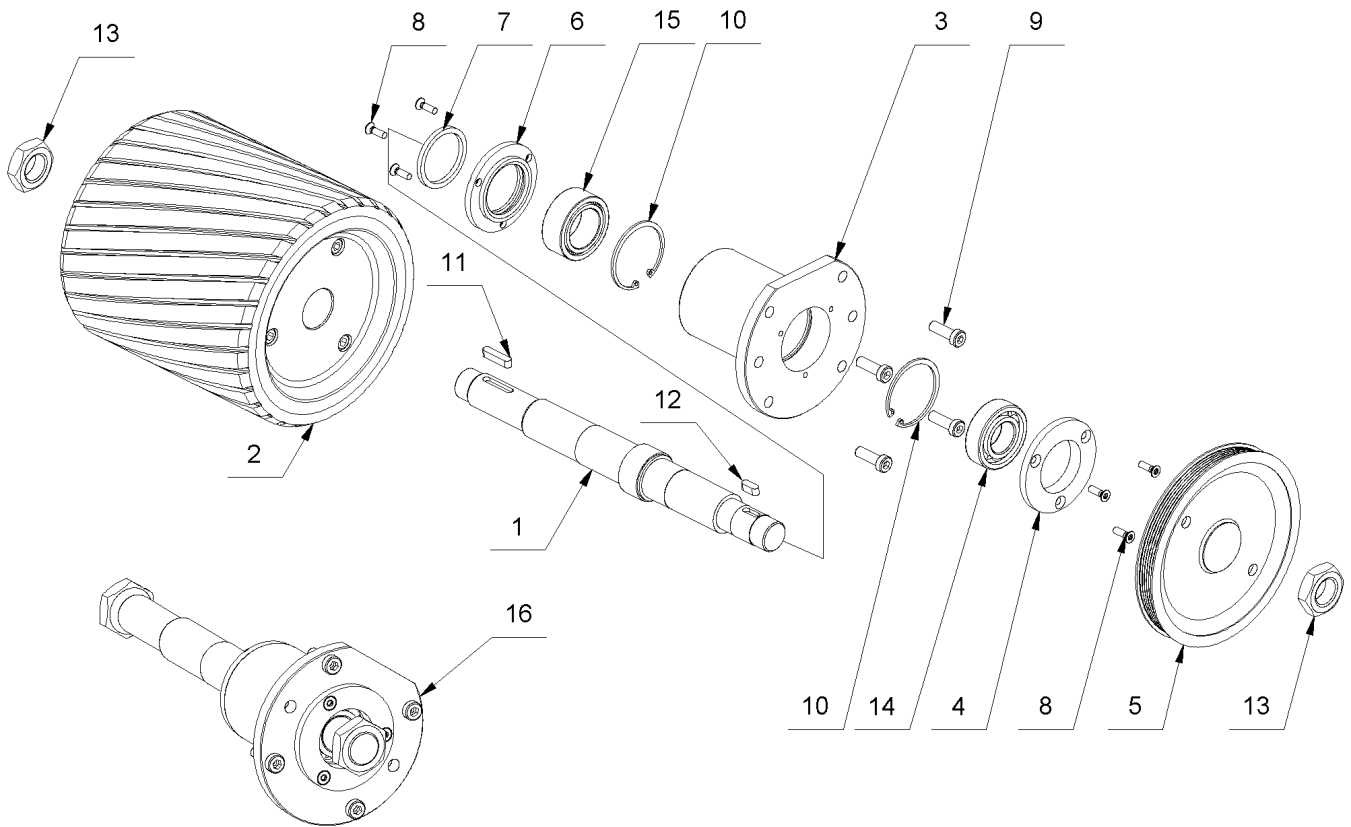
3 Pulley for belt



3 Pulley for belt

Item no.	Article no.	Description	Quantity
1	043915	Cylinder Head Bolt M10x 40 DIN 6912	1
2	052468	Tension-/guide pulley Cobra 09	1
3	018353	Ball bearing 6200 2RS HS800	1
4	053318	Circlip I30 DIN 472	1
5	079805	Distance jack 21x10x19	1

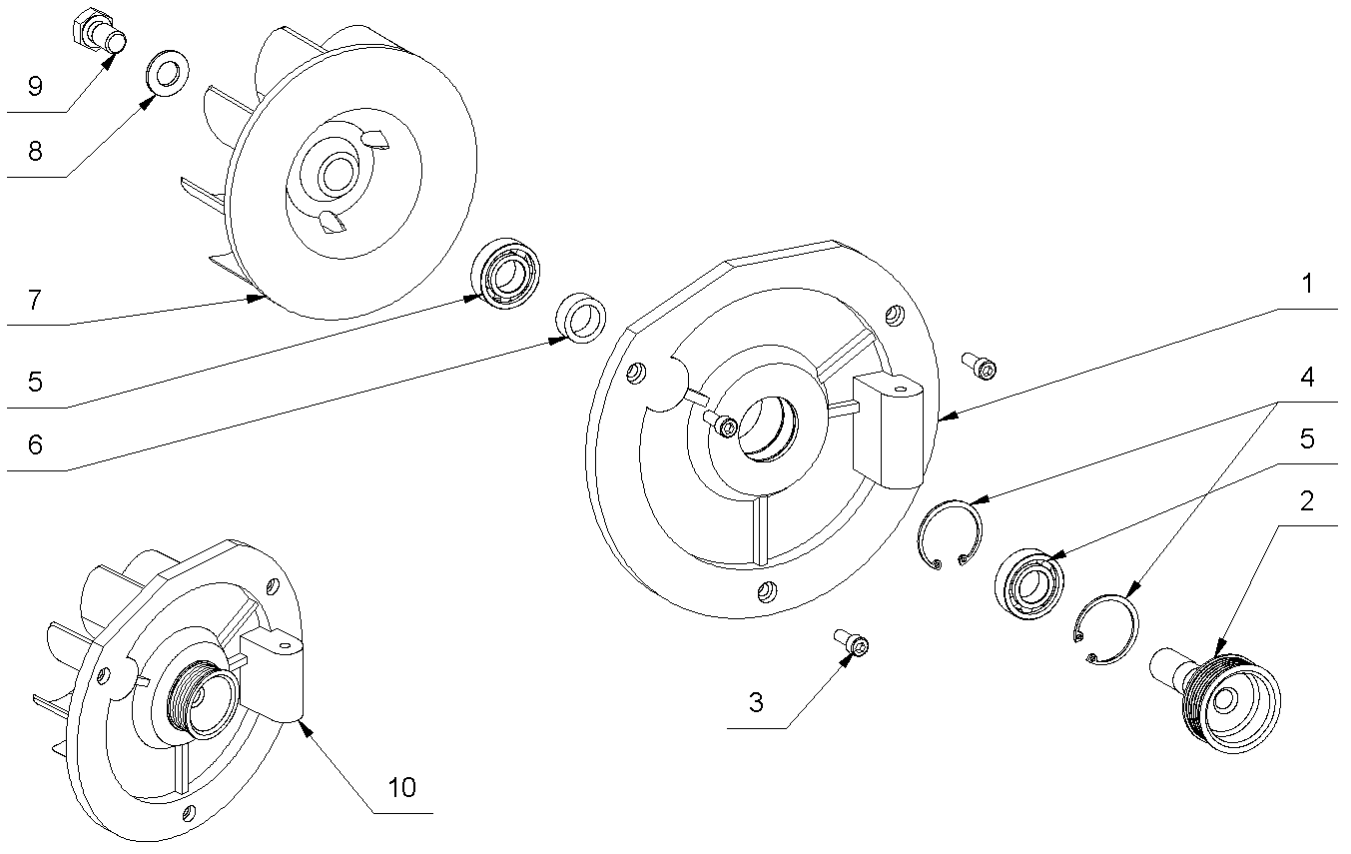
4 Sanding drum bearing



4 Sanding drum bearing

Item no.	Article no.	Description	Quantity
1	052470	Grinding roller shaft Cobra 09	1
2	013587	Grinding roller for Cobra	1
3	016364	Drum bearing flange Cobra	1
4	052482	Cover Cobra 09	1
5	052466	Belt pulley drum Cobra 09	1
6	016366	Inner drum cover Cobra	1
7	016188	Felt sealing ring Cobra/Viper/Python	1
8	080377	Countersunk screw M5x16 (Torx)	6
9	016365	Cylinder head screw M10x45 DIN 6912	4
10	014857	Safety washer I52 DIN 472	2
11	016361	Nut key 6x6x30 DIN 6885	1
12	016505	Nut key 6x6x16 DIN 6885	1
13	014614	Hexagon nut M24x1,5 DIN936	2
14	018348	Ball bearing 6205 2RS	1
15	016183	Ball bearing Cobra NA49/32 Cobra	1
16	053244	Roller bearing flange cpl.Cobra09/CoClas	1

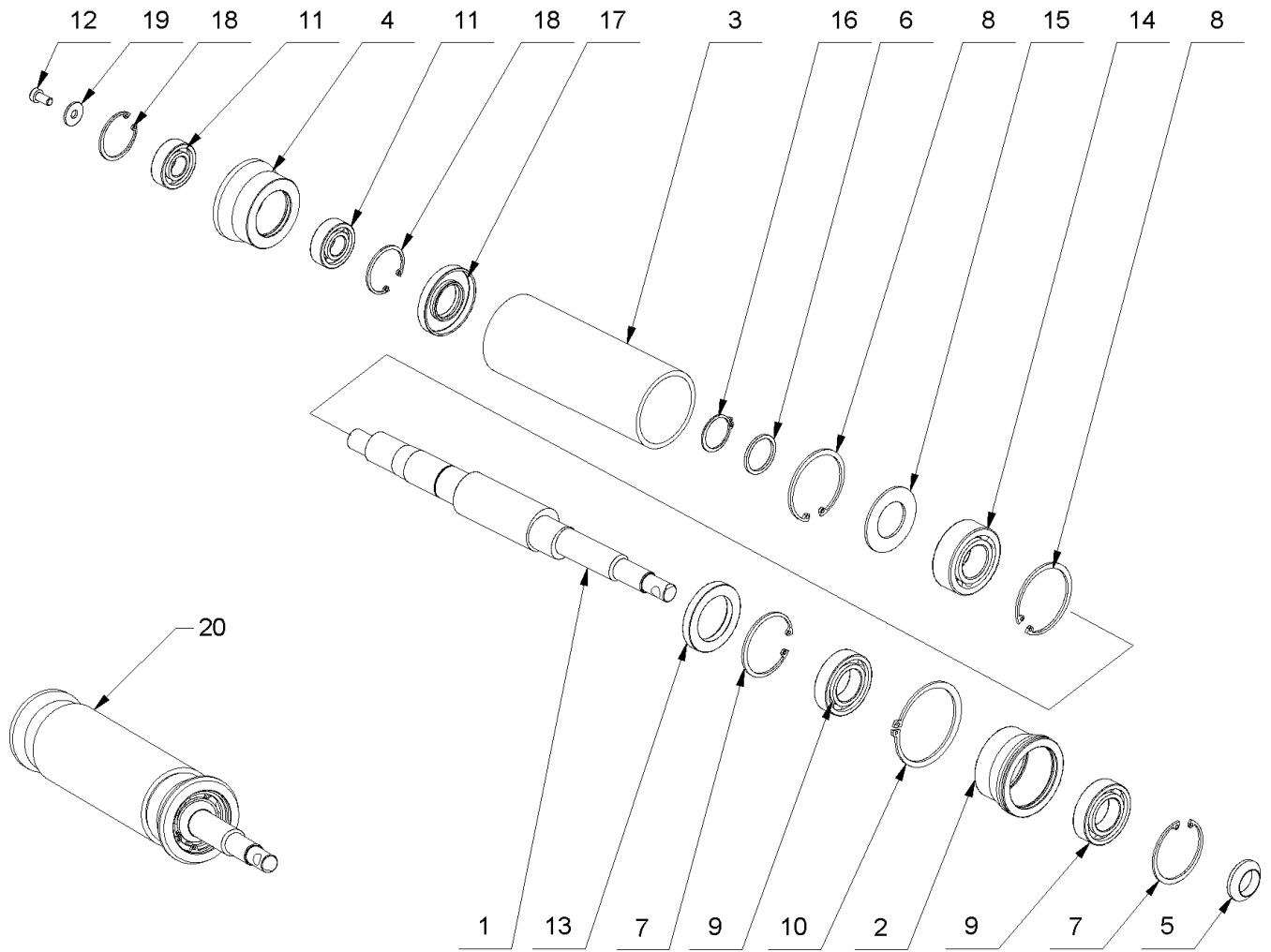
5 Fan



5 Fan

Item no.	Article no.	Description	Quantity
1	074569	Fan flange Cobra Classic	1
2	052467	Belt pulley ventilator Cobra 09	1
3	014729	Cylinder head screw M 6x16 DIN 912	3
4	018091	Circlip I35 DIN472	2
5	018359	Ball bearing 6003 2RS	2
6	052491	Distance bushing ventilator Cobra 09	1
7	014599	Fan wheel Cobra	1
8	014830	Washer M12 DIN 125 A	1
9	017455	Hexagon screw M12x 20 DIN 933	1
10	078527	Fan flange cpl.Cobra Classic	1

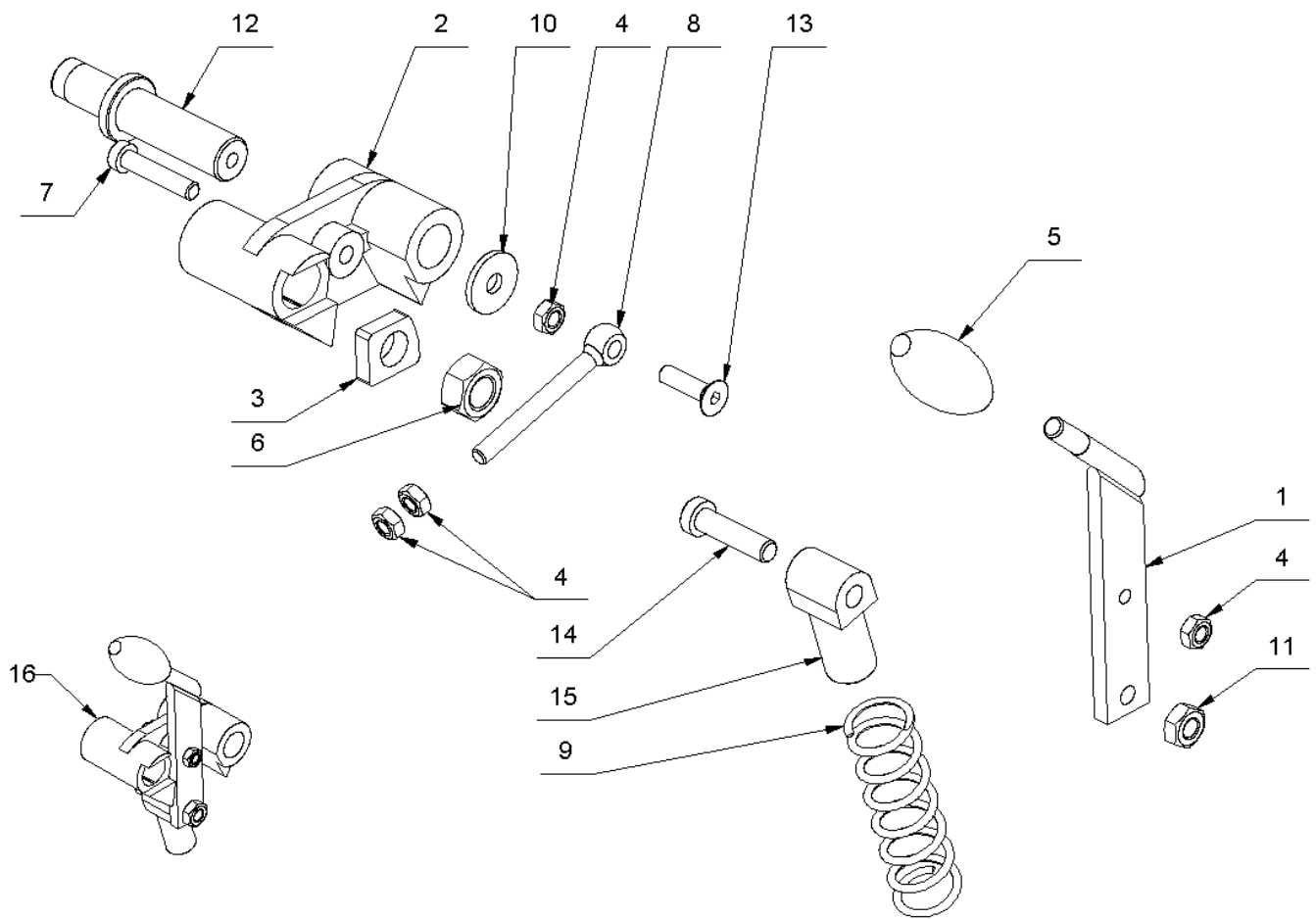
6 Tension roller



6 Tension roller

Item no.	Article no.	Description	Quantity
1	016189	Tension roller shaft Cobra	1
2	014625	Inner roll Cobra/Viper/Python	1
3	014629	Roller empty Viper / Cobra	1
4	014622	Outside roll Cobra/Viper/Python	1
5	016202	Adjustment ring Cobra/Python	1
6	016360	Washer 25x30x2 DIN 988	1
7	014855	Safety washer I47 DIN 472	2
8	014857	Safety washer I52 DIN 472	2
9	014704	Ball-bearing 6005 2RSH	2
10	043894	Looking ring A60 DIN 471	1
11	018351	Ball bearing 6202 2RS	2
12	055830	Cylinder head screw M6x12 DIN 7984	1
13	014628	Inner packing ring Vip/Cob/Pyth 35-52-10	1
14	016198	Swivel bearing 2205 2RS	1
15	043833	Lock washer DIN 137 - B27	1
16	014852	Safety washer A25 DIN 471	1
17	014634	Shaft seal Vip/Cob/Pyth 25-52-10	1
18	018091	Circlip I35 DIN472	2
19	017724	Washer 6,4 DIN 9021	1
20	016845	Tension Roll new complete Cobra	1

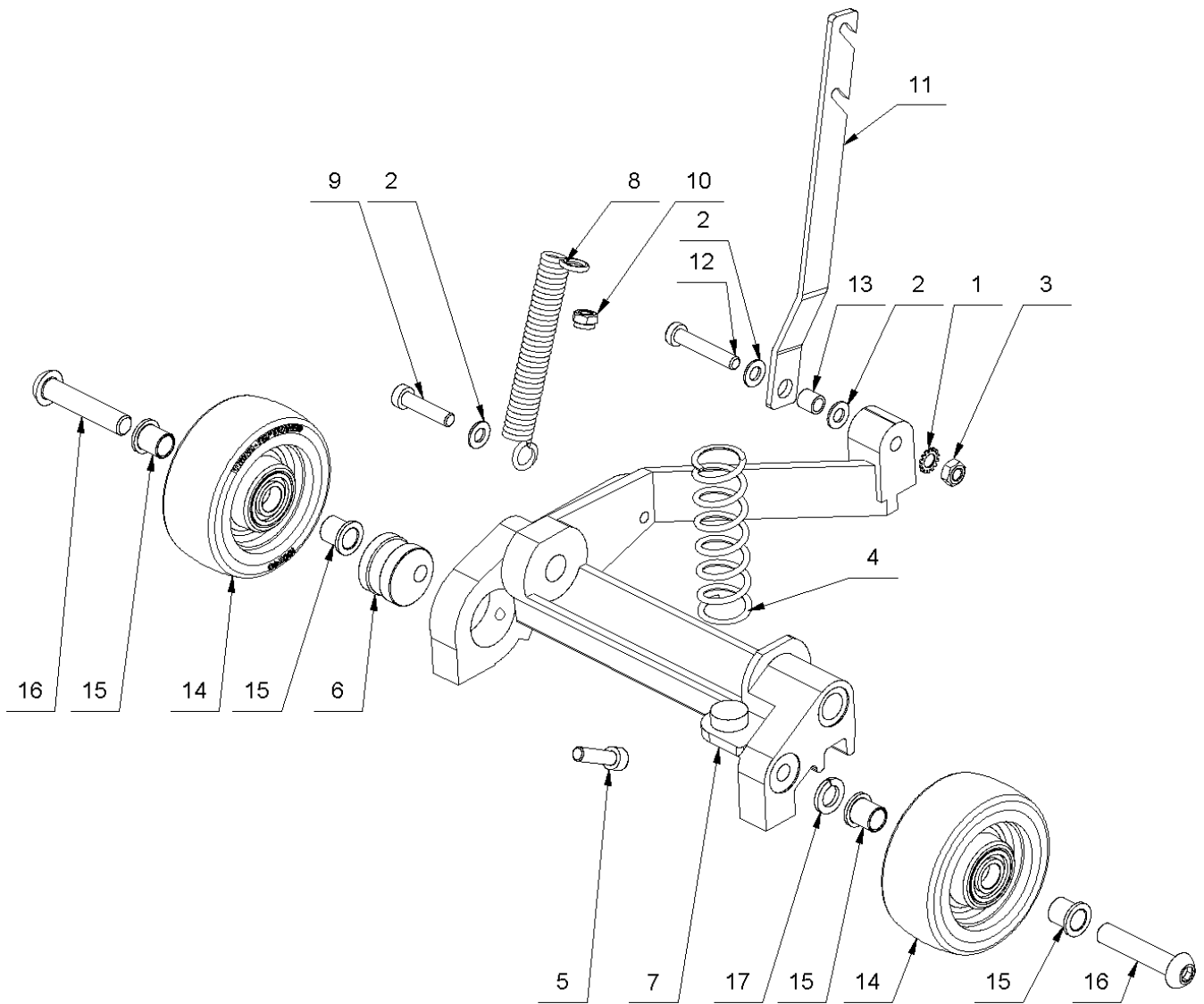
7 Roller clamo



7 Roller clamo

Item no.	Article no.	Description	Quantity
1	016342	Tension lever Cobra/Viper/Python	1
2	016338	Tension roller holder Cobra/Python	1
3	016190	Adjusting plate Cobra/Python	1
4	014810	Hexagon nut M8 DIN 934	4
5	016180	Ball handle Cobra/Python/Viper	1
6	014620	Lock nut M16 DIN 934	1
7	016343	Cylinder head screw M10x45 DIN 6912	1
8	016347	Eye screw M8x80 special	1
9	016179	Pressure spring 30x100x3,5	1
10	043902	Washer 8,4x30 DIN 522	1
11	014811	Hexagon nut M10 DIN 934	1
12	016345	Mounting bolt Cobra/Viper/Python	1
13	017116	Countersunk screw M8x30 10.9 DIN 7991	1
14	043915	Cylinder Head Bolt M10x 40 DIN 6912	1
15	016492	Pressure piece Cobra/Viper/Python	1
16	048500	Tension roller holder cpl. Cobra/Python	1

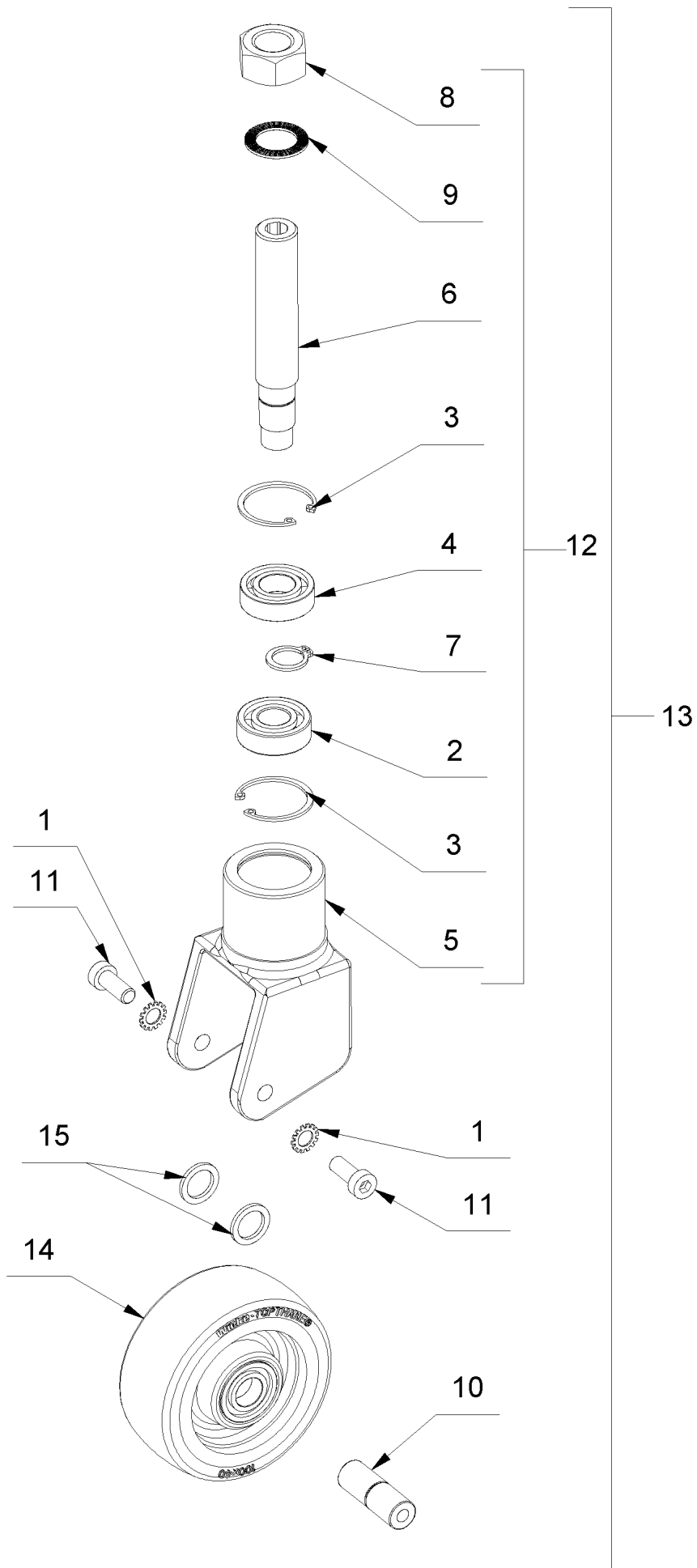
8 Carriage



8 Carriage

Item no.	Article no.	Description	Quantity
1	016321	Spring washer A 8,4 DIN 6798	1
2	014828	Washer M8 DIN 125 A	3
3	014810	Hexagon nut M8 DIN 934	1
4	016179	Pressure spring 30x100x3,5	1
5	014736	Cylinder head screw M8x30 DIN 912	1
6	016425	Eccentric cam with thread Cobra	1
7	016428	Chassis lever Cobra	1
8	016175	Tension spring Cobra	1
9	016430	Cylinder head screw M8x35 DIN 6912	1
10	014816	Hexagon nut M8 DIN 985	1
11	016434	374/67 Connecting piece Cobra	1
12	016343	Cylinder head screw M10x45 DIN 6912	1
13	016437	Distance bushing Cobra	1
14	074349	Wheel Ø98mm Cobra	2
15	074350	Bushing 20x12,1x17	4
16	074347	Lens screw M12x60 ISO7380/1	2
17	016424	Spring washer 12 DIN 127	1

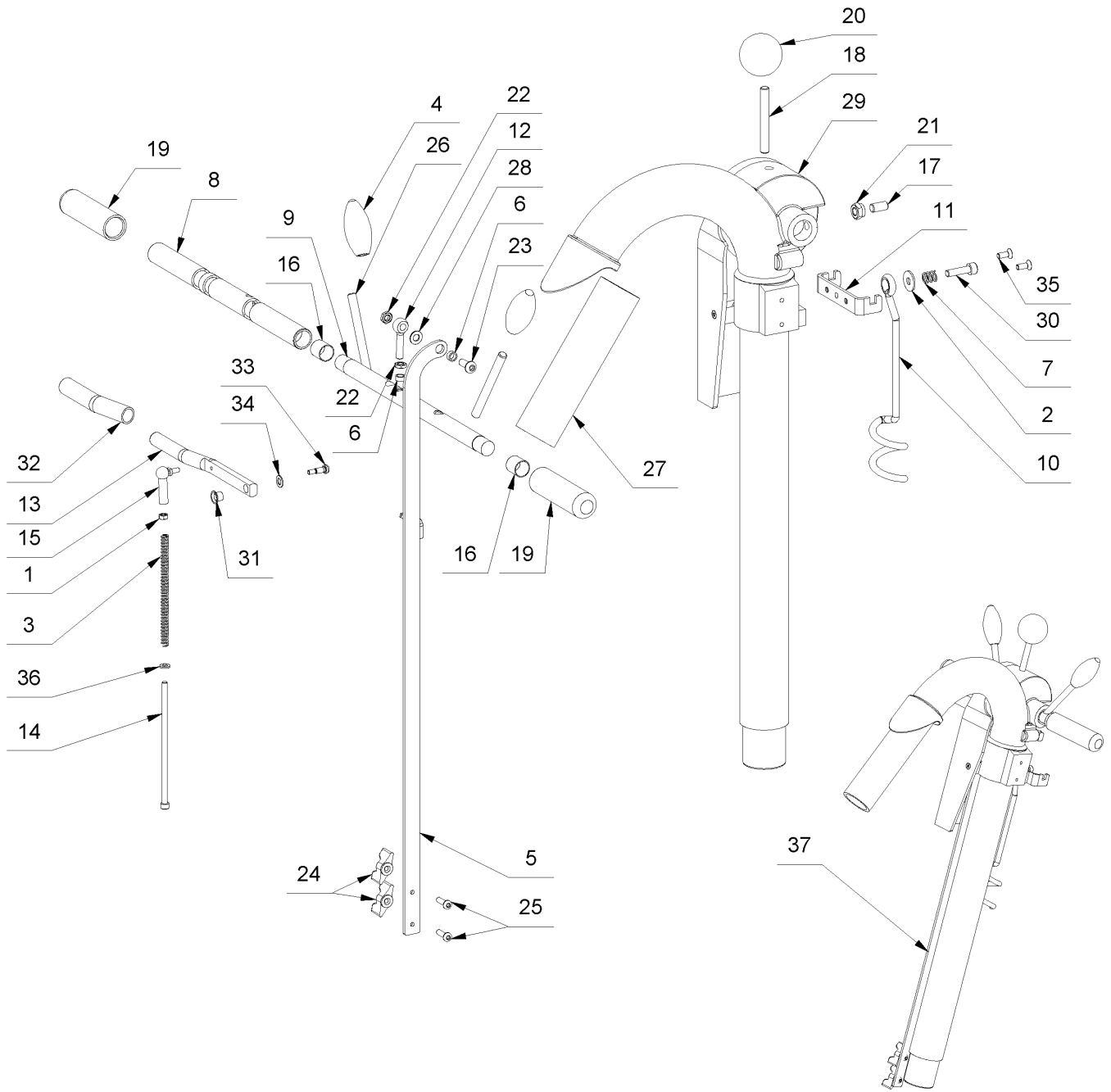
9 Caster



9 Caster

Item no.	Article no.	Description	Quantity
1	016321	Spring washer A 8,4 DIN 6798	2
2	018351	Ball bearing 6202 2RS	1
3	018091	Circlip I35 DIN472	2
4	018359	Ball bearing 6003 2RS	1
5	016406	Steering wheel fork Cobra/Viper/Python	1
6	016410	Casting shaft Cobra/Python	1
7	014850	Safety washer A17 DIN 471	1
8	039981	Hexagon nut M20x1,5 DIN 934	1
9	074979	Washer M20	1
10	014601	Caster wheel Cobra/Viper/Python	1
11	016413	Cylinder head screw M6x150 DIN 912	2
12	047064	Steering wheel fork without wheel Cobra	1
13	074570	Steering wheel w.fork cpl.Cobra Classic	1
14	074349	Wheel Ø98mm Cobra	1
15	074346	shim ring 15x21x2 DIN 988	2

10 Handle



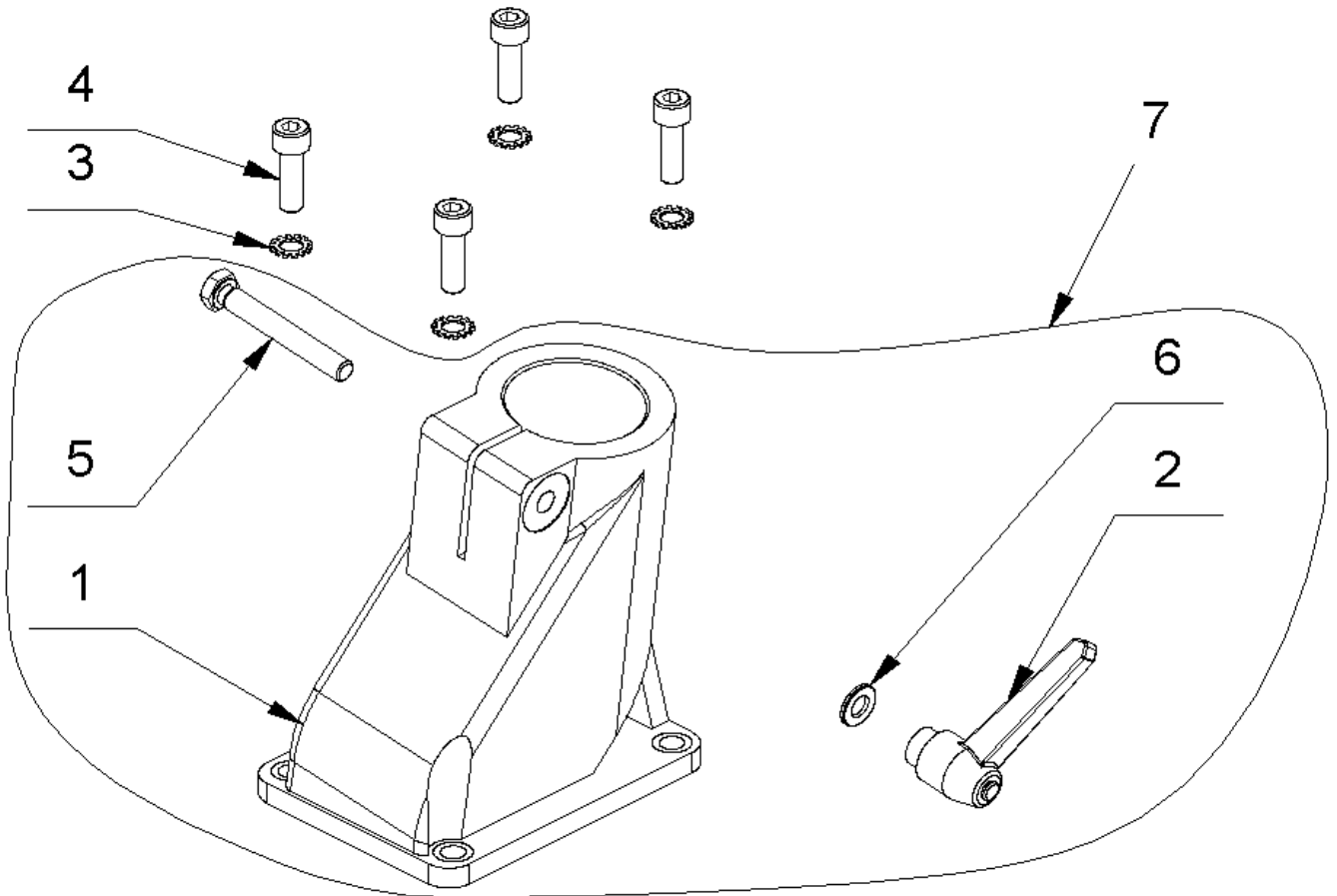
10 Handle

Item no.	Article no.	Description	Quantity
1	014809	Hexagon nut M6 DIN 934	1
2	018737	Washer 8,4 DIN 9021	1
3	016638	Pressure spring 9x167x1,2	1
4	016180	Ball handle Cobra/Python/Viper	2
5	082666	drawbar 595 verzinkt Cobra	1
6	016437	Distance bushing Cobra	2
7	043827	Pressure spring 13x20x1,5	1
8	047301	Grip pipe Cobra	1
9	047304	Shaft for sinking Cobra	1
10	016665	331/40 Cable arm short USA	1
11	016521	Cable support Cobra/Viper/Python	1
12	047216	Eye screw M 8x40 DIN 444	1
13	016628	Lifting grip Cobra	1
14	016673	Cylinder head screw M6x150 DIN 912	1
15	016632	Angle joint Cobra/Viper/Python	1
16	047218	Bushing 1820	2
17	018216	Headless pin M10x20 DIN 913	1
18	014788	Stud bolt M10x60 DIN 835-8.8	1
19	047310	Grip covering Magura	2
20	047220	Ball button 50mm M10	1
21	014817	Hexagon nut M10 DIN 985	1
22	017676	Hexagon nut M8 DIN 936	2
23	047385	Lens head screw M8x20	1
24	047796	Wing nut M6 plastic	2
25	018706	Lens head screw M 6x20	2
26	016404	Lever pin Cobra / Viper	2
27	047208	Suction nozzle Cobra	1
28	014828	Washer M8 DIN 125 A	1
29	077095	SteeringFH 2HD 595 CobraClassic	1
30	014736	Cylinder head screw M8x30 DIN 912	1
31	019086	Bushing BB 0810	1
32	082068	PVC-hand grip Wega black	1
33	053781	Screw M 6x12 DIN 7379	1
34	078449	Shim washer 8x14x1,2 DIN 988	1

10 Handle

Item no.	Article no.	Description	Quantity
35	014756	Countersunk screw M6x16 DIN 7991 10.9	2
36	014827	Washer M 6DIN 125 A	1
37	074562	Guidance cpl.Cobra Classic	1

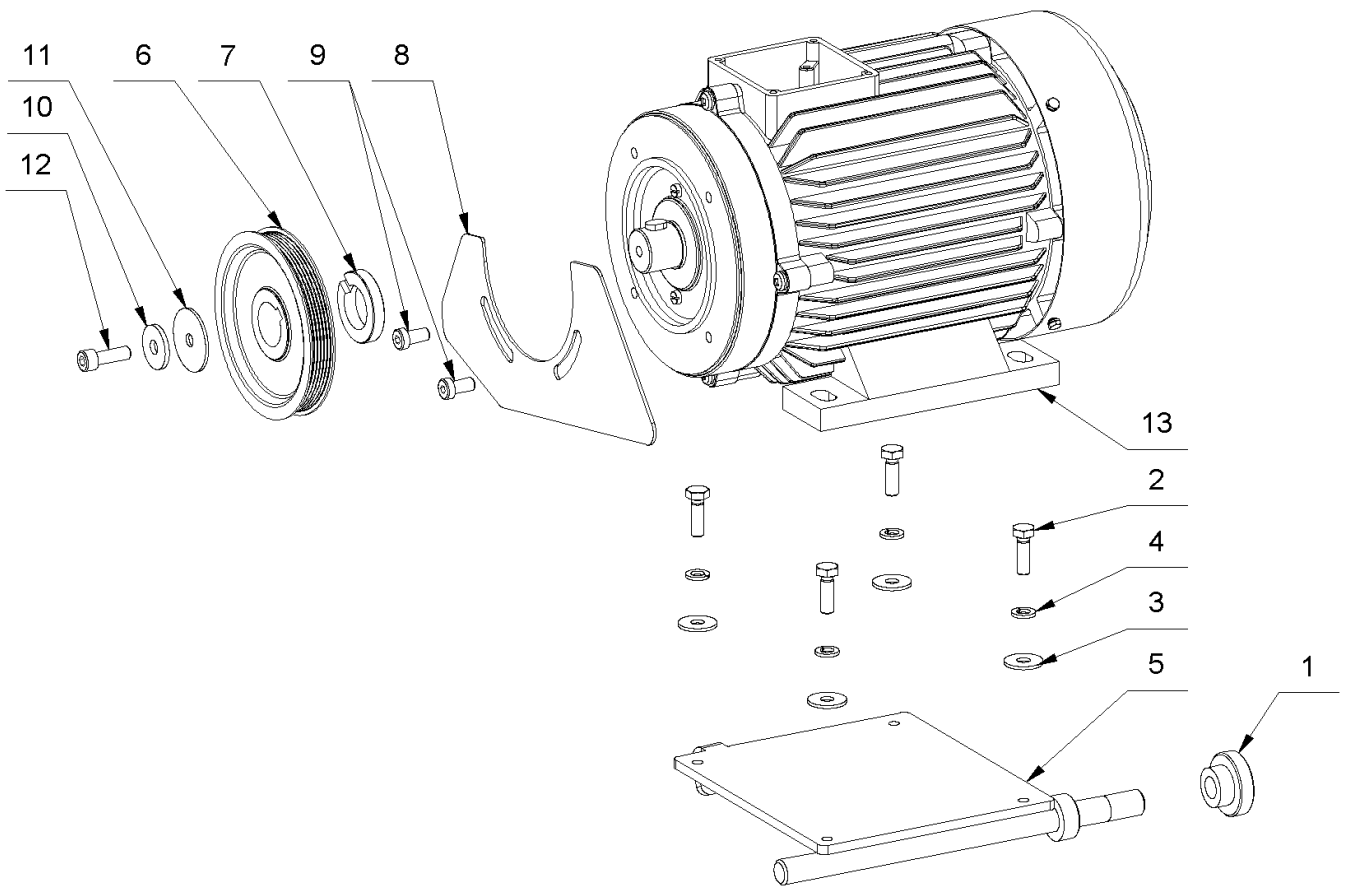
11 Dust pipe support



11 Dust pipe support

Item no.	Article no.	Description	Quantity
1	047307	Dust pipe support 7° Cobra	1
2	014877	Clamping lever M8 Duro	1
3	016321	Spring washer A 8,4 DIN 6798	4
4	014735	Cylinder head screw M8x25 DIN 912	4
5	047213	Hexagonal screw M8x60 DIN 933	1
6	014828	Washer M8 DIN 125 A	1
7	048702	Steering Base compl.	1

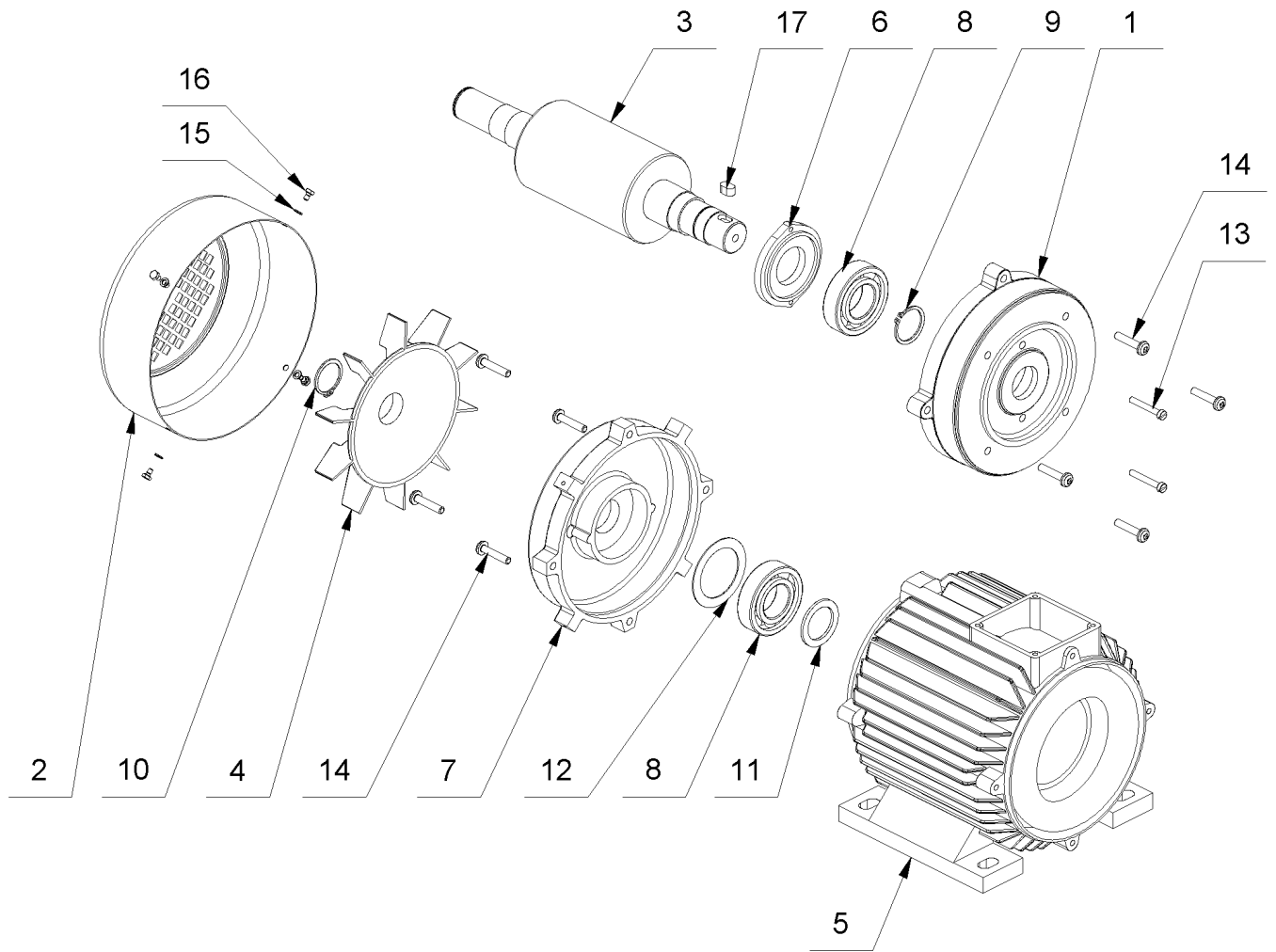
12 Motor



12 Motor

Item no.	Article no.	Description	Quantity
1	016603	Knurled nut M16 Cobra	1
2	014775	Hexagon bolt M8x25 DIN 933	4
3	018737	Washer 8,4 DIN 9021	4
4	016455	Spring washer 8 DIN 127	4
5	078531	Motor base Frank Cobra Classic	1
6	052462	Belt pulley motor Cobra 09	1
7	077386	Distance ring Motor FrankCobraClassic	1
8	077051	Sheet metal shielding FrankCobraClassic	1
9	043918	Cylinder head screw M8x16 DIN 7984	2
10	016612	Washer 9 DIN 440	1
11	043903	Washer 8,4x40x1,5 DIN 522	1
12	014735	Cylinder head screw M8x25 DIN 912	1
13	080831	Motor Dietz 3,68kW/240V without cut-out	1

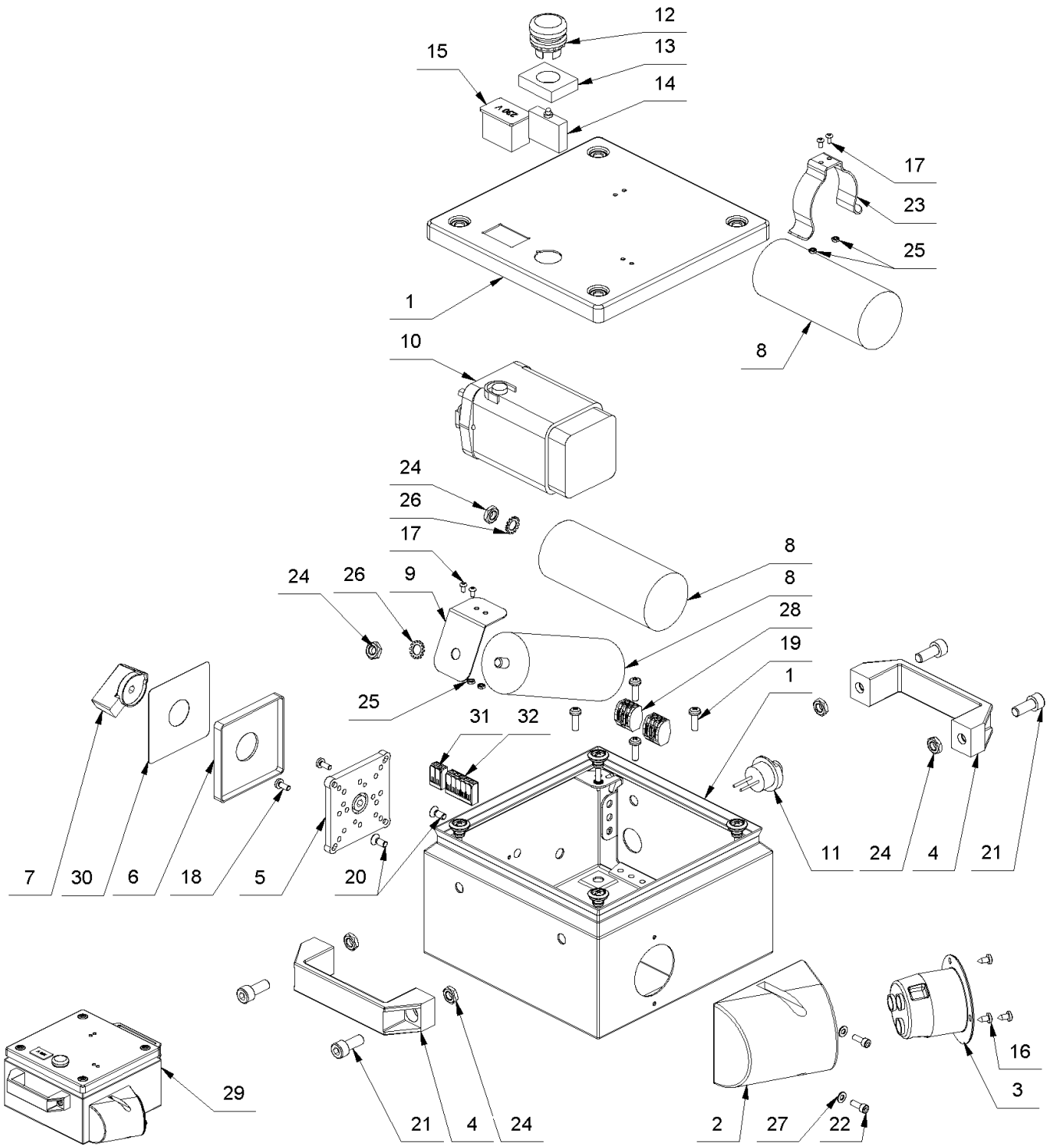
13 Motor Dietz 3,68kW/240V without cut-out



13 Motor Dietz 3,68kW/240V without cut-out

Item no.	Article no.	Description	Quantity
1	043909	Front bearing cover Cobra	1
2	043906	Fan cover DIETZ 2,5 KW	1
3	043867	Rotor w.shaft axleCobra/Python2,5kW/50Hz	1
4	043860	Motor fan DIETZ 2,5 KW	1
5	078329	Stator w.hous.3,68kW 240V 60HzCobraClass	1
6	043847	Bearing cover	1
7	043840	Rear bearing cover	1
8	043845	Ball bearing 6206 2RS	2
9	014853	Safety washer A30 DIN 471	1
10	043893	Safety washer A28 DIN 471	1
11	043824	Spacer 42x30x2,5	1
12	043913	Ring(85.01)	1
13	043920	Cylinder screw M5x35 DIN 84	2
14	014804	Lens head screw M4x10 DIN 7985	8
15	043830	spring washer 4 DIN 127	4
16	043887	Hexagon Screw M 4x 6 DIN 933	4
17	043862	Drum Parallel Key DIN 6885 8x7x14	1

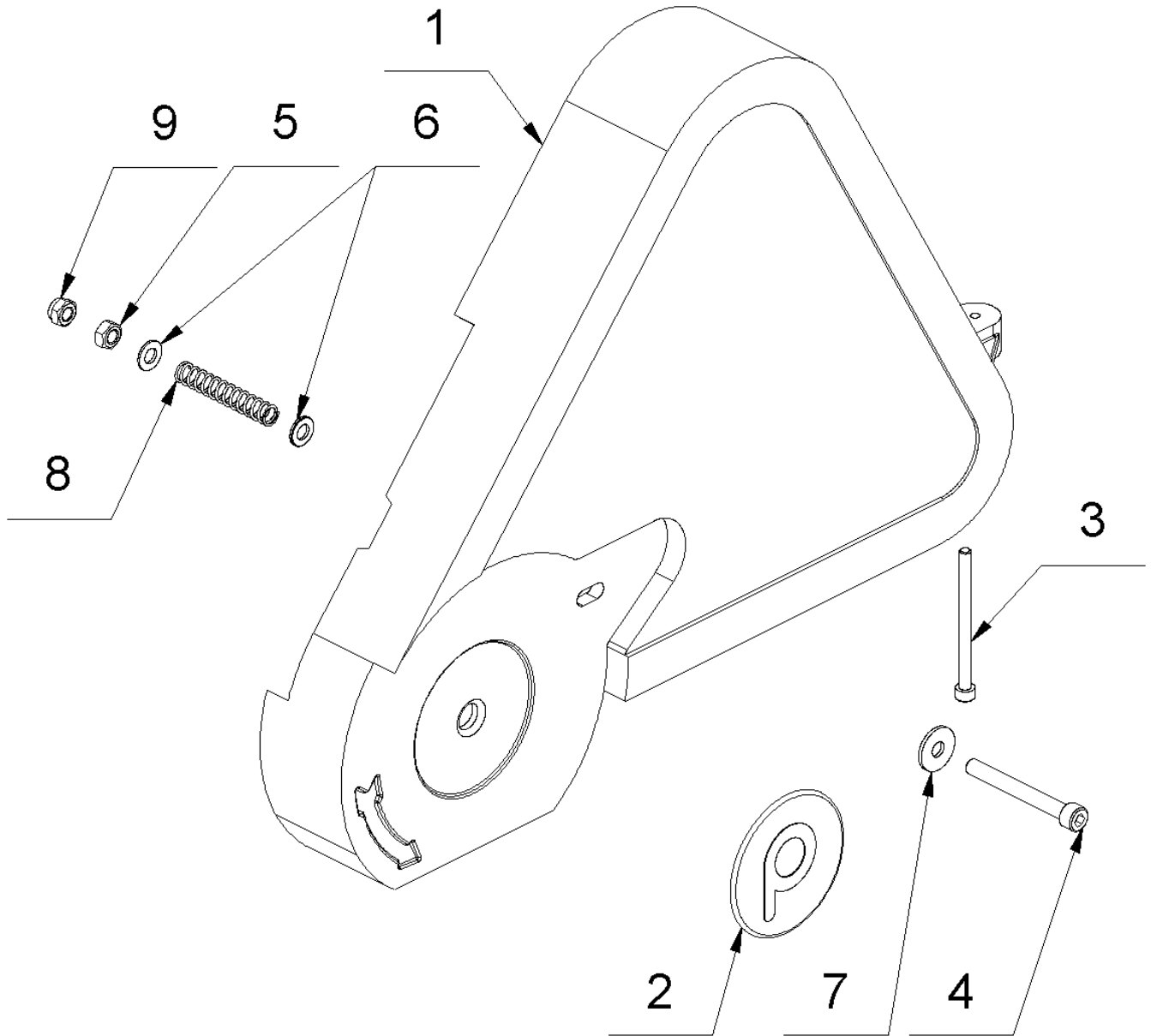
13 Switch housing



13 Switch housing

Item no.	Article no.	Description	Quantity
1	068277	Terminal box Cobra/KingCobra	1
2	047937	Switch case Cobra	1
3	047919	Rotor with axle 3.68 kW 60 Hz Cobra	1
4	014915	Handle/Grip GN528 117mm	2
5	078329	Stator w.hous.3,68kW 240V 60HzCobraClass	1
6	043877	Plate for switch Cobra	1
7	043875	Switch Knob	1
8	043843	Start Capacitor 60 µF Ducati	3
9	068334	Support angle King Cobra	1
10	047925	Switch insert 3.68kW/60Hz Cobra	1
11	047932	Female Quick disconnect	1
12	047936	Fluorescent detector green Cobra	1
13	017503	Adapterattachment	1
14	038638	LED for signal lamp	1
15	078604	Digital meter with large clip Cobra09	1
16	017730	Selftapping convex head screw.F/H4,2x9,5	3
17	017555	Lens head screw M3x6	4
18	014804	Lens head screw M4x10 DIN 7985	2
19	049052	Self-tapping screw M5x16 DIN 7500	4
20	043890	Countersink bolt M 5x12 DIN 965	2
21	014734	Cylinder head screw M8x20 DIN 912	4
22	018284	Cylinder head screw M4x12 DIN 912	2
23	052434	Spring clamps Cobra 09	1
24	017676	Hexagon nut M8 DIN 936	6
25	017629	Hexagon nut M3 DIN 934	4
26	016321	Spring washer A 8,4 DIN 6798	2
27	016961	Snorr washer M4	2
28	050145	Connection terminal 3-fold	1
29	049186	Housing with Switch cpl USA	1
30	148072	label OFF-STAR-RUN	1
31	050146	Terminal connector 2-fold	1
32	072951	Terminal connector 5-fold	1

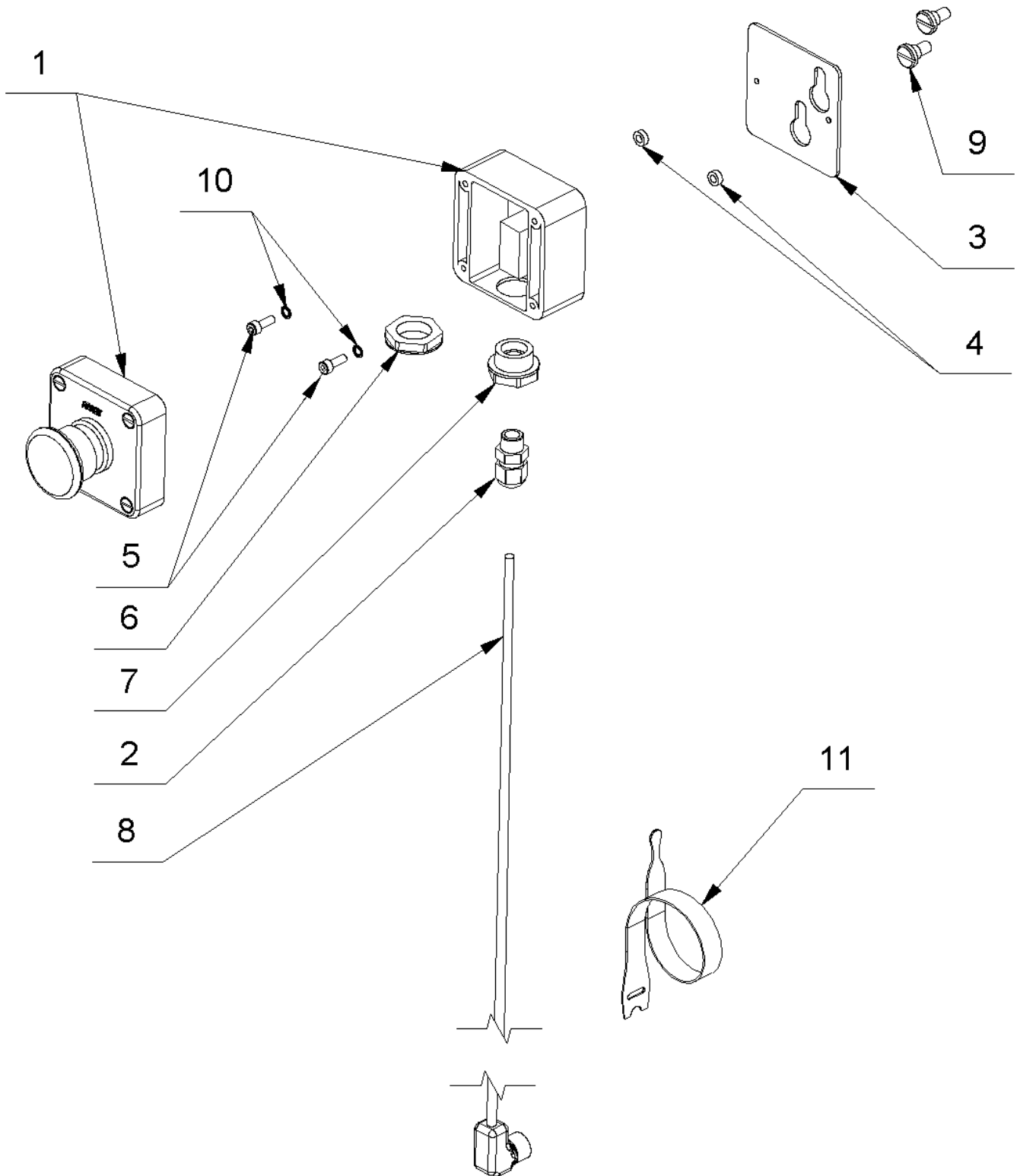
14 Belt protection hood



14 Belt protection hood

Item no.	Article no.	Description	Quantity
1	074616	Belt protection hood CobraCla./PythonCla	1
2	129934	Label Pallmann 3D Ø 80mm	1
3	077311	Cylinder head screw M 6x 80 DIN 912	1
4	018250	Cylinder head screw M8x70 DIN 912	1
5	014810	Hexagon nut M8 DIN 934	1
6	014828	Washer M8 DIN 125 A	2
7	018737	Washer 8,4 DIN 9021	1
8	077473	Pressure spring VD-194	1
9	014816	Hexagon nut M8 DIN 985	1

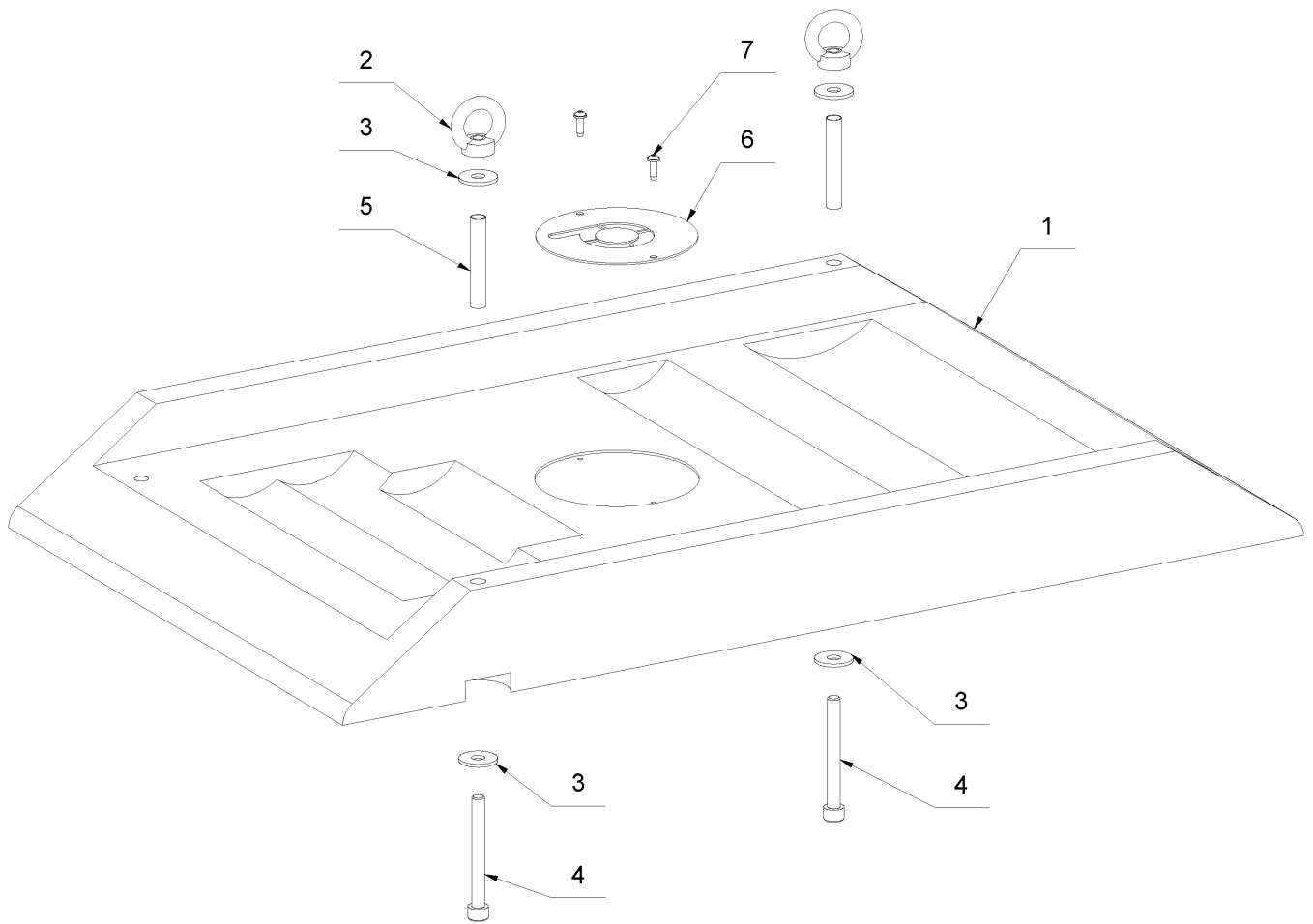
15 Safety switch



15 Safety switch

Item no.	Article no.	Description	Quantity
1	047927	Emergency stop USA	1
2	047934	Screw connect M12x1,5 USA	1
3	047928	Plate E-Stop	1
4	047929	Spacer POM 4.3x8x3	2
5	018284	Cylinder head screw M4x12 DIN 912	2
6	047935	Nut PE M20x1,5	1
7	047933	Reduction M20/M12 USA	1
8	047931	Male Quick disconnect	1
9	014808	Flat head screw M6x5 DIN 923	2
10	016961	Snorr washer M4	2
11	085678	Velor band 20x330mm schwarz	1

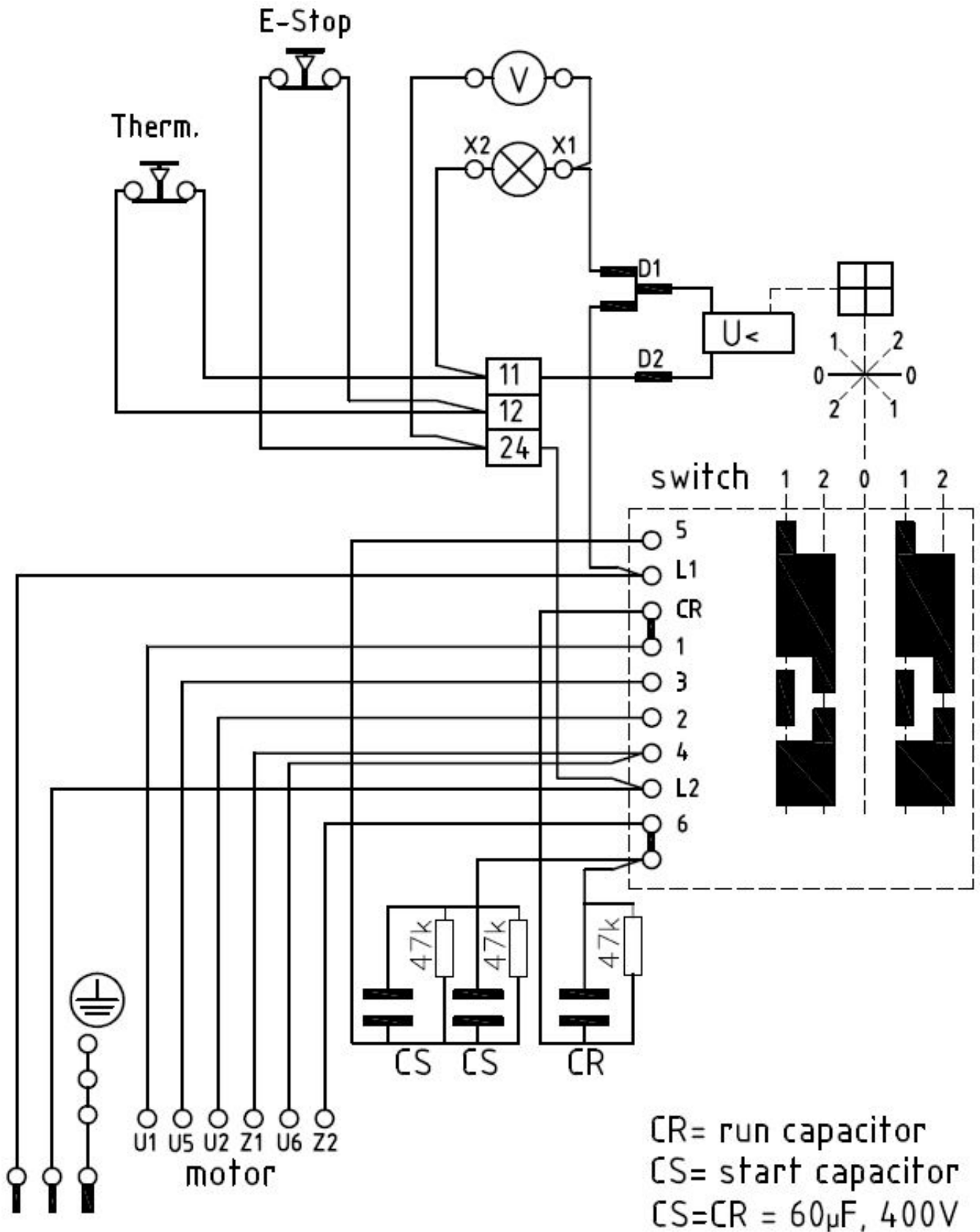
16 Travel Base



16 Travel Base

Item no.	Article no.	Description	Quantity
1	125926	Travel Base Rohling	1
2	050936	Ring nut M10 DIN 582 VA	2
3	018236	Washer 10.5 DIN 9021	4
4	017548	Cylinder head screw M10x90 DIN 912	2
5	051161	Sleeve Travel Base	2
6	064388	Logo badge Pallmann Logo	1
7	051027	EJOT Screw Torx 5x16	2
o.Abb.	133102	Tension belt orange Travel Base USA	1

17 Circuit diagram



wiring Cobra Classic / King Cobra Classic 3,68kW/60Hz

17 Circuit diagram

18 Tool kit #060281

Item no.	Article no.	Description	Quantity
1	017601	Open-end wrench SW17	1
2	016842	Open-ended wrench SW10	1
3	016799	Open-end wrench SW13	1
4	016800	Open-end wrench SW19	1
5	018635	Open-end wrench SW24	1
6	043826	Double open-end wrench SW30/36	1
7	017027	Hexagonal screw key SW4 DIN 911	1
8	014956	Hexagonal screw key SW5 DIN 911	1
9	014957	Hexagonal screw key SW6 DIN 911	1
10	014959	Hexagonal screw key SW8 DIN 911	1
11	018641	Hexagonal screw key SW10 DIN 911	1
12	060253	Tool bag orange	1
13	016813	Multi clip URS/Gecko/Cobra/Viper	1

19 Accessories

Item no.	Article no.	Description	Quantity
1	012624	CORUNDUM SANDING BELT 200 X 750 MM K 36	2
2	012627	CORUNDUM SANDING BELT 200 X 750 MM K 60	2
3	012629	CORUNDUM SANDING BELT 200 X 750 MM K 100	1
4	015315	Hearing protectors	1
5	060281	Tool set Belt grinding machine	1
6	016732	Fine dust mask Gecko/URS/Cobra	1
7	040383	Running wheel adjusting tool cpl.Cobra	1
8	077170	Drive belt 6PJ 1371 Cobra Classic	1