



PALLMANN®

wood floors. protected

spare parts list

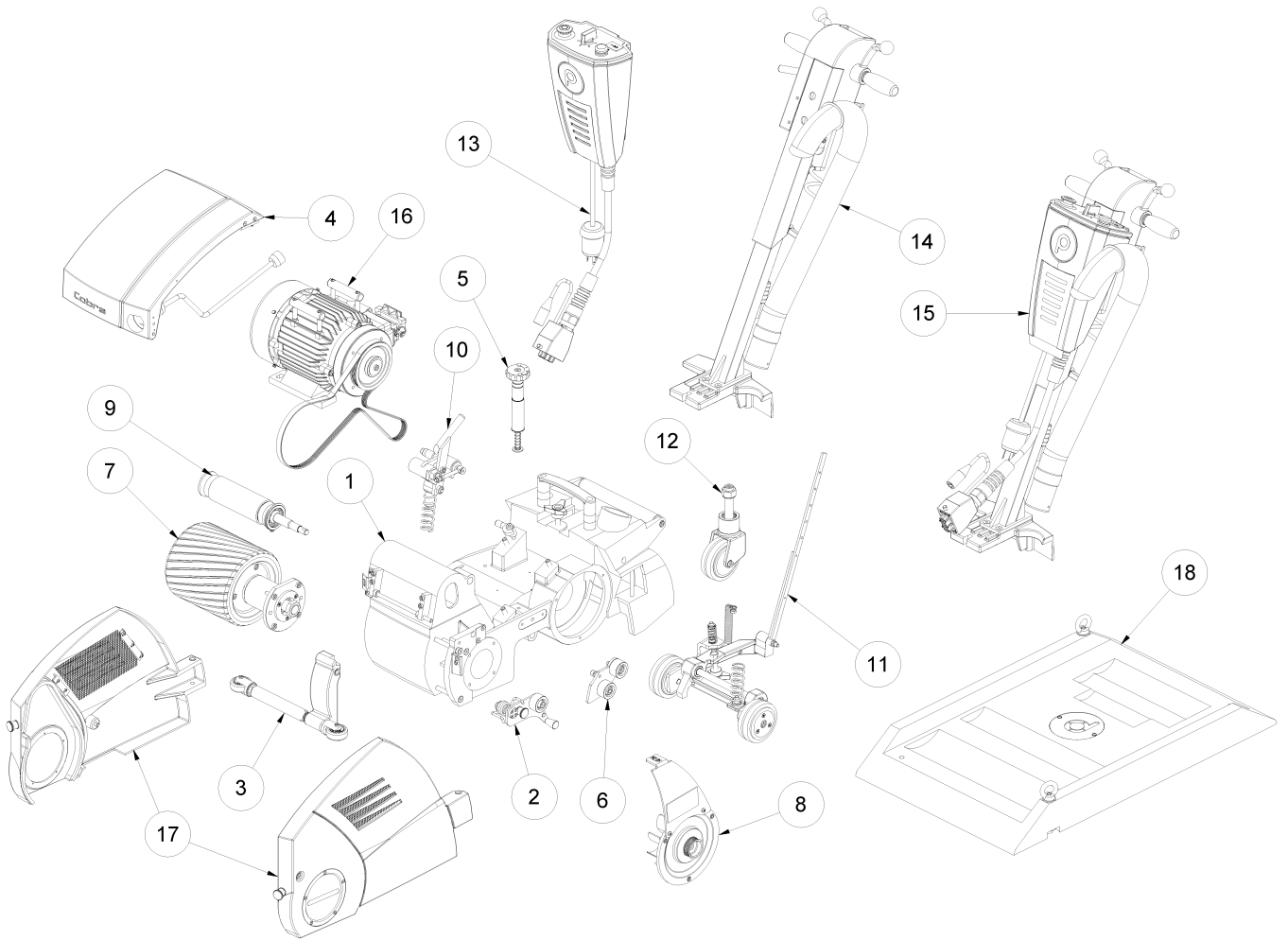
Pallmann Cobra 240V USA



Table of contents

5 Pallmann Cobra 240V USA (0530/2014 - 0661/2015)	3
1 Housing	5
2 Belt Holding Fixture	8
3 Handle	10
4 Cover	12
5 Pressure regulation	14
6 Adapter plate	16
7 Sanding drum bearing	18
8 Fan	20
9 Tension roller	22
10 Roller clamo	24
11 Carriage	26
12 Caster	28
13 Cockpit	30
14 Handle	33
15 Handle compl.	36
16 Motor	38
17 Cover	40
18 Travel Base	42
19 Circuit diagram	44
20 Tool kit #060281	46
21 Accessories	47

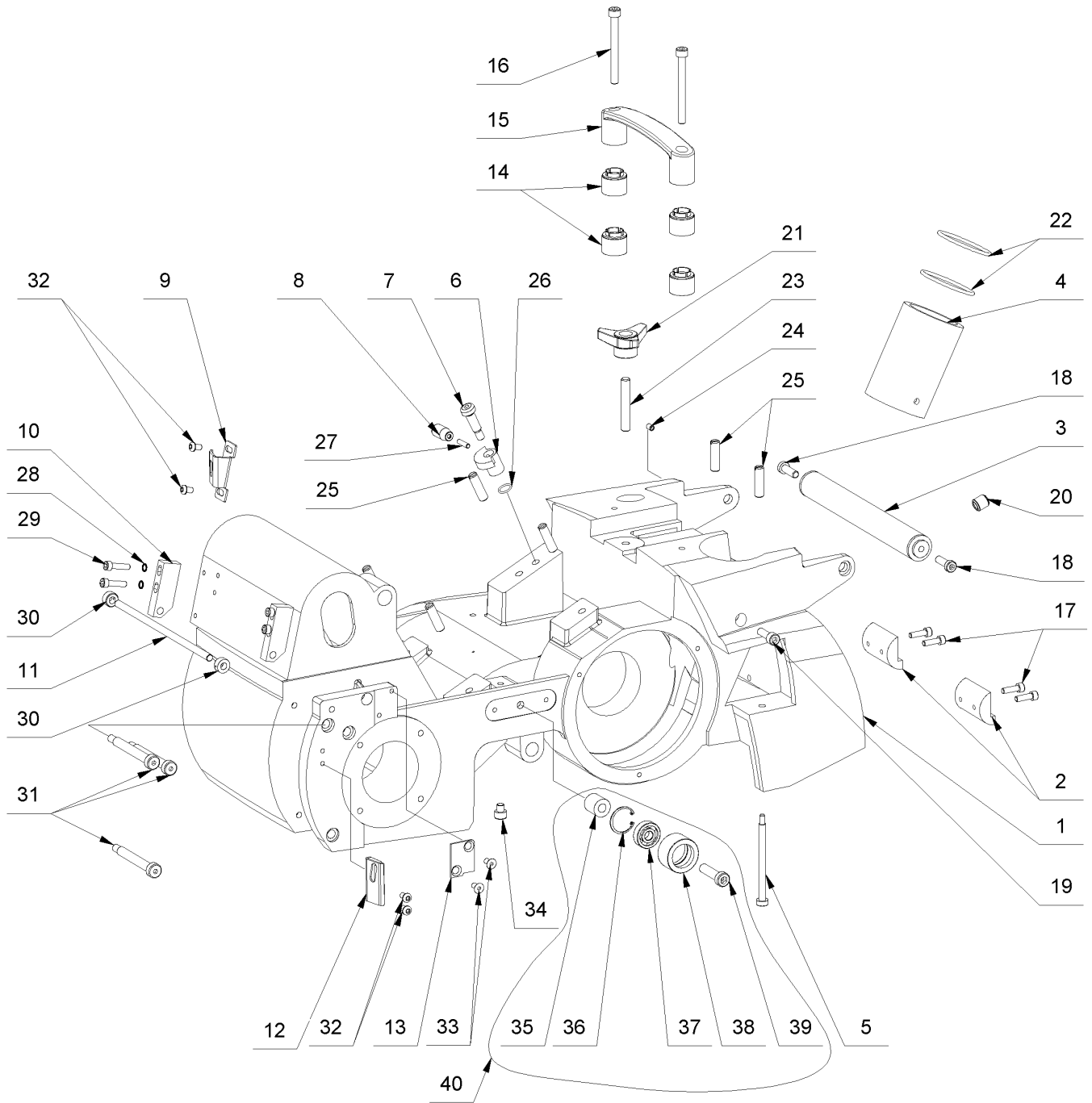
5 Pallmann Cobra 240V USA (0530/2014 - 0661/2015)



5 Pallmann Cobra 240V USA (0530/2014 - 0661/2015)

Item no.	Article no.	Description
1	02_01_062228	Housing
2	03_02_053277	Belt Holding Fixture
3	03_03_062228	Handle
4	01_04_062228	Cover
5	01_05_062228	Pressure regulation
6	05_06_062228	Adapter plate
7	01_07_062228	Sanding drum bearing
8	01_08_062228	Fan
9	01_09_016845	Tension roller
10	01_10_062228	Roller clamo
11	04_11_053246	Carriage
12	01_12_016380	Caster
13	05_13_064256	Cockpit
14	03_14_056249	Handle
15	05_15_073837	Handle compl.
16	02_16_053508	Motor
17	01_17_062228	Cover
18	01_19_064387	Travel Base
19	01_18_062228	Circuit diagram
20	01_19_060281	Tool kit #060281
21	01_20_062228	Accessories

1 Housing



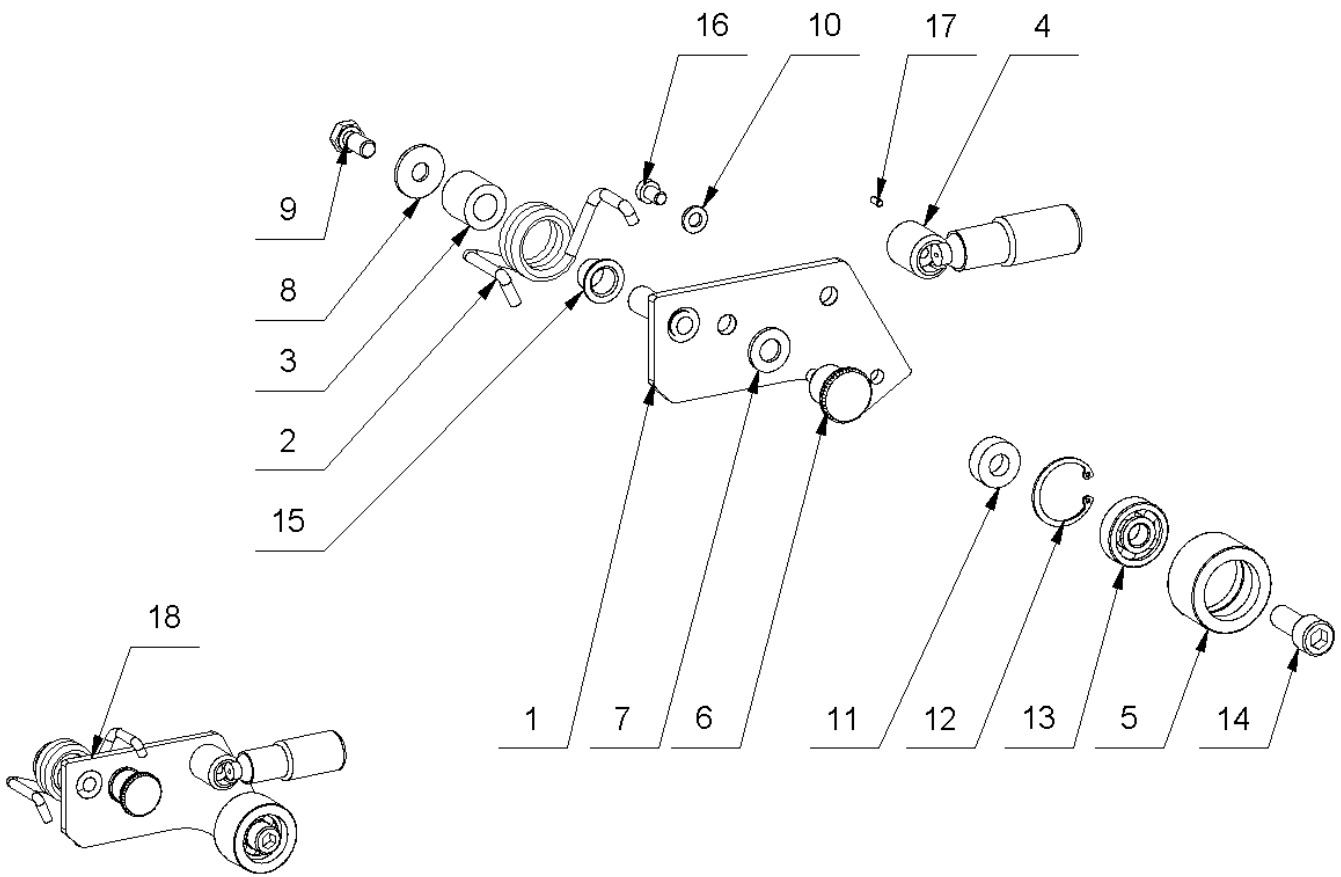
1 Housing

Item no.	Article no.	Description	Quantity
1	052299	Chassis Cobra 09	1
2	052689	Edge protection Cobra 09	2
3	052507	ZB Carry handle behind Cobra 09	1
4	052593	Sock dust pipe Cobra 09	1
5	052627	Screw M 6x90 DIN 7379	2
6	053077	Bar for motor Cobra 09	1
7	053030	Screw M10x25 DIN 7379	1
8	053426	Cylindr.knob Cobra 09	1
9	053922	Right door lock Cobra 09	1
10	053114	Hood angle Cobra 09	2
11	059611	Shaft Cobra 09	1
12	053921	Left door lock Cobra 09	1
13	053221	Stop plate stop bolt Cobra 09	1
14	056814	Distance bushing for U-handle	4
15	056811	Handle grip GN628 150mm	1
16	018249	Cylinder head screw M8x80 DIN 912	2
17	018706	Lens head screw M 6x20	4
18	016365	Cylinder head screw M10x45 DIN 6912	2
19	014735	Cylinder head screw M8x25 DIN 912	1
21	037940	Three-star grip nut D63 x M10	1
22	052952	O-Ring 57x3	2
23	053041	Stud bolt M10x45 DIN 835	1
24	049055	Headless pin M6x10 DIN 914	1
25	052452	Shaft screw M10x35 DIN 427	6
26	053468	O-Ring 12x1	1
27	018203	Headless pin M5x20 DIN 913	1
28	014859	Schnorr washer M6	4
29	017678	Cylinder head screw M6x30 DIN 912	4
30	059599	Adjusting ring Ø 8 DIN 705 A	2
31	052451	Screw M 8x70 DIN 7379	3
32	014799	Lens head screw M6x10	4
33	014755	Countersunk screw M6x12 DIN 7991 10.9	2
35	052488	Distance bushing guide pulley Cobra 09	1
36	053318	Circlip I30 DIN 472	1

1 Housing

Item no.	Article no.	Description	Quantity
37	018353	Ball bearing 6200 2RS HS800	1
38	052468	Tension-/guide pulley Cobra 09	1
39	043915	Cylinder Head Bolt M10x 40 DIN 6912	1
40	053280	Pulley for belt cpl. Cobra 09	1

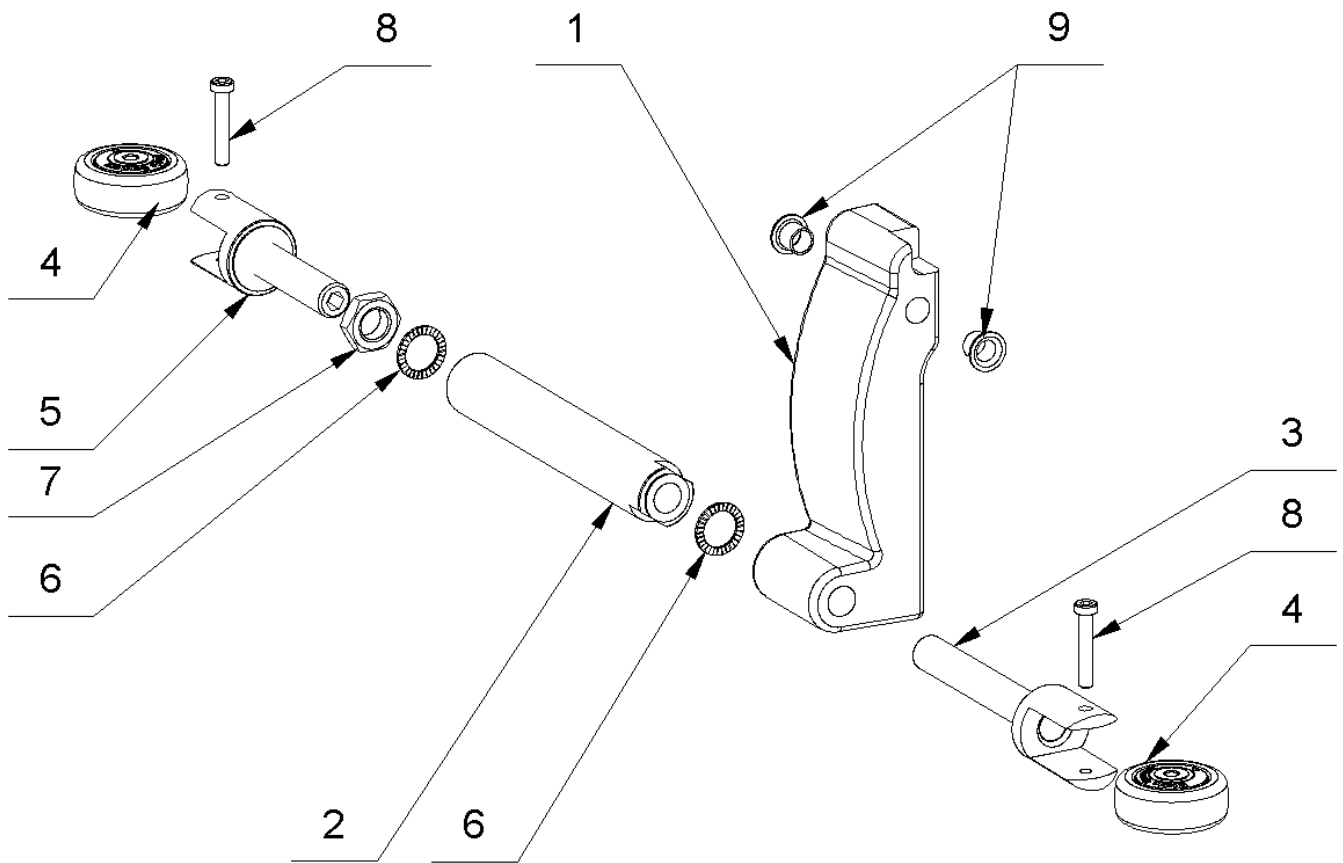
2 Belt Holding Fixture



2 Belt Holding Fixture

Item no.	Article no.	Description	Quantity
1	052956	Holder for idler Cobra 09	1
2	064322	Lag spring 5mm Cobra 09 Cobra 09	1
3	052487	Distance bushing Cobra 09	1
4	052450	Handle Cobra 09	1
5	052468	Tension-/guide pulley Cobra 09	1
6	052440	Arresting bolt	1
7	014829	Washer M10 DIN 125 A	1
8	018737	Washer 8,4 DIN 9021	1
9	018969	Hexagonal screw M8x 16 DIN 933	1
10	014859	Schnorr washer M6	1
11	052690	Distance bushing 21x10x8 Cobra 09	1
12	053318	Circlip I30 DIN 472	1
13	018353	Ball bearing 6200 2RS HS800	1
14	049654	Cylinder head screw M10x25 DIN 912	1
15	018765	Bushing 1212 DU	1
16	014725	Cylinder head screw M6x10 DIN 6912	1
17	053901	Clamping sleeve 3x6 DIN 7346	1
18	053277	Belt tensioner cpl. Cobra 09	1

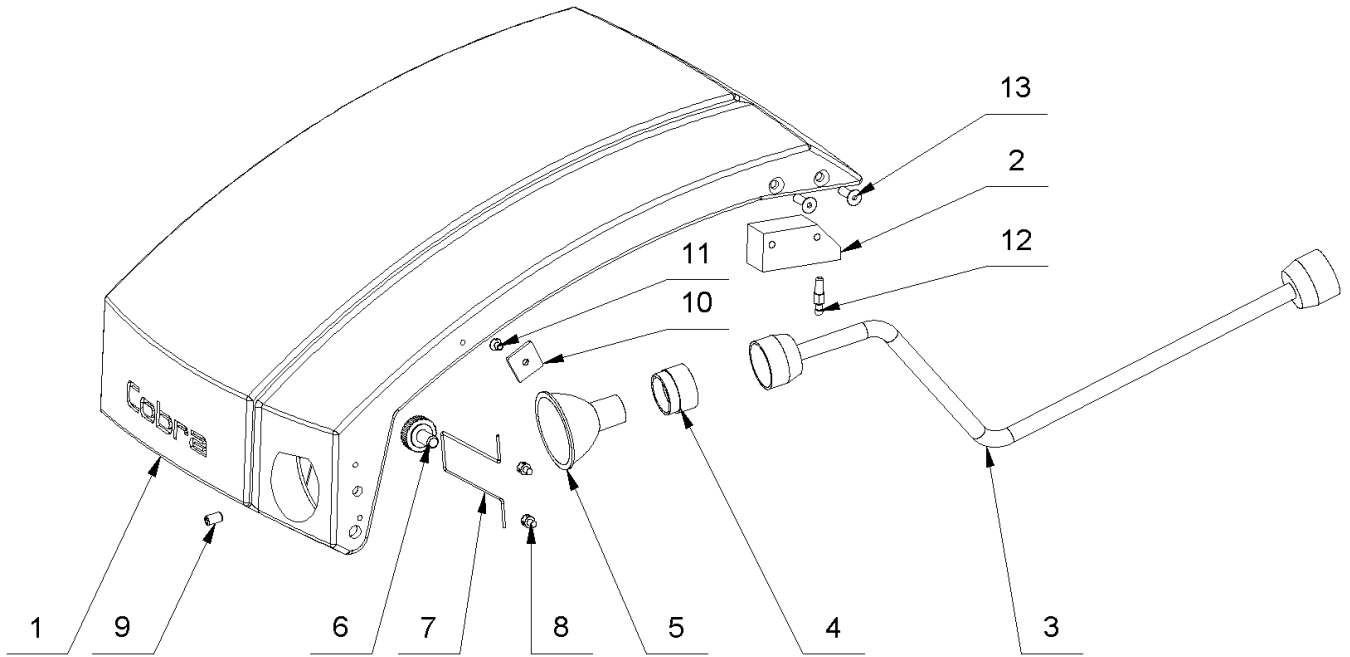
3 Handle



3 Handle

Item no.	Article no.	Description	Quantity
1	066944	Handle bracket M16 Cobra 09	1
2	066962	Front carrying handle M 16 Cobra 09	1
3	066945	Holding device li Cobra 09	1
4	060072	Barrier distance roll grey Cobra 09	2
5	068095	Holding device right Cobra 09	1
6	034216	Safety washer M16	2
7	043886	Hexagon M 16 DIN 936	1
8	053071	Cylinder head screw M6x35 DIN 6912	2
9	018682	Bushing BB 1012	2

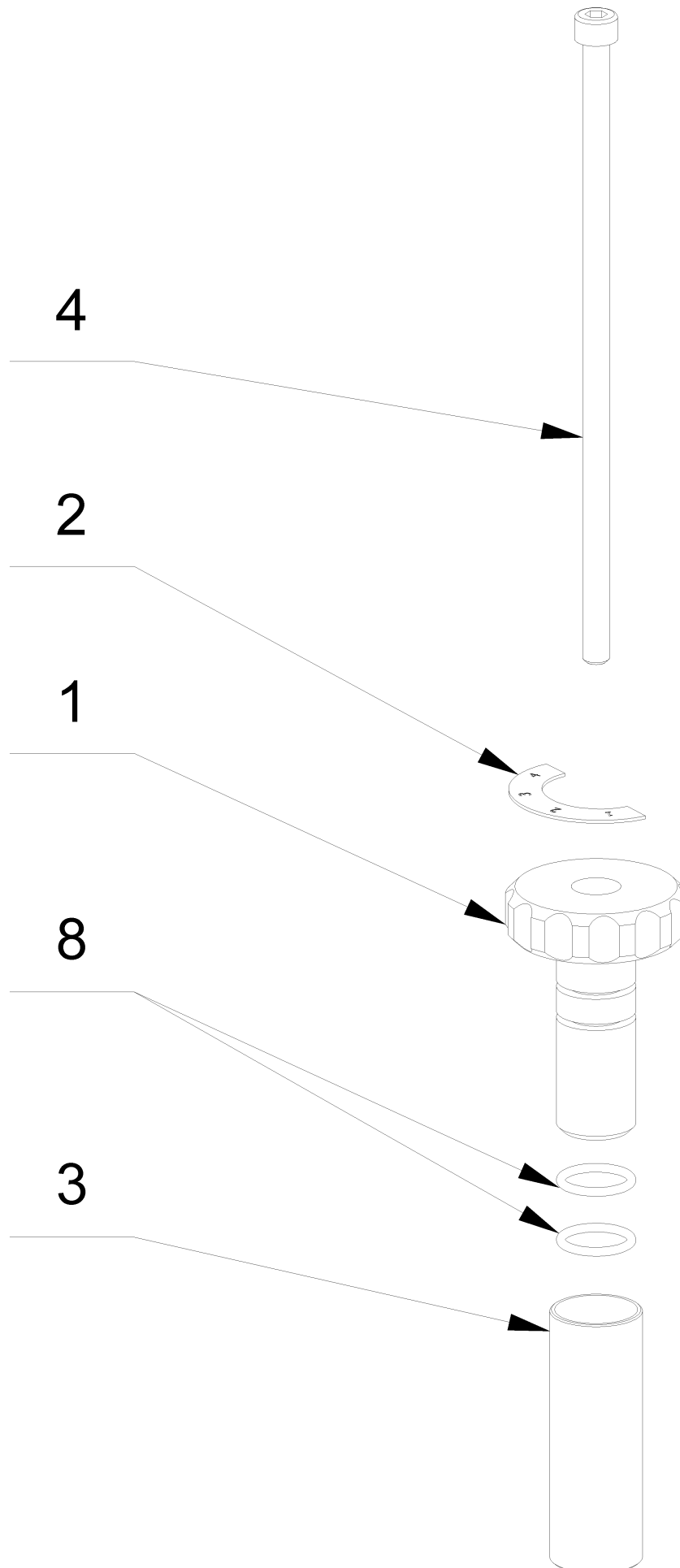
4 Cover



4 Cover

Item no.	Article no.	Description	Quantity
1	052366	Cover Cobra 09	1
2	053421	Holder f. nipple Cobra 09	1
3	052582	Connector cable Cobra 09	1
4	052437	Socket GU/GZ10 Cobra 09	1
5	053131	Halogen lamp cpl.230V Cobra 09	1
6	014800	Thumb screw M6x14 Inden	1
7	052449	Clamp halogen lamp Cobra 09	1
8	052587	Cross bolt hole M4x5 Cobra 09	2
9	049055	Headless pin M6x10 DIN 914	1
10	053445	Adhesive base Cobra 09	4
11	016469	Countersunk screw M4x6 DIN 963	1
12	052164	RAPID-nipple	1
13	016312	Countersunk bolt M5x16 DIN 7991 10.9	2

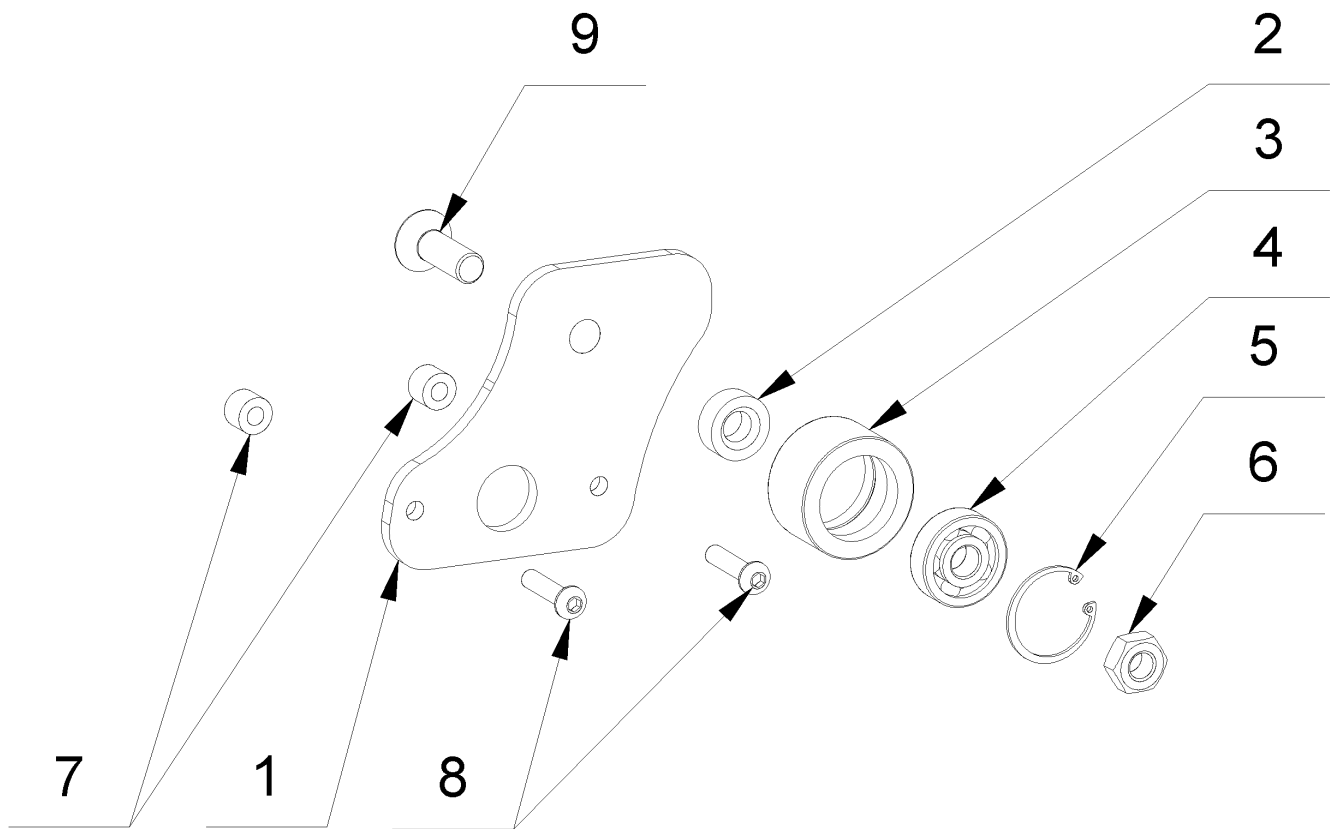
5 Pressure regulation



5 Pressure regulation

Item no.	Article no.	Description	Quantity
1	016327	Regular screw Cobra/ Python	1
2	053314	Label roller printing Cobra 09	1
3	054727	Threaded sleeve Cobra 09	1
4	069497	Cylinder head screw M8x200 DIN 912	1
5	043853	Marking ring black	2

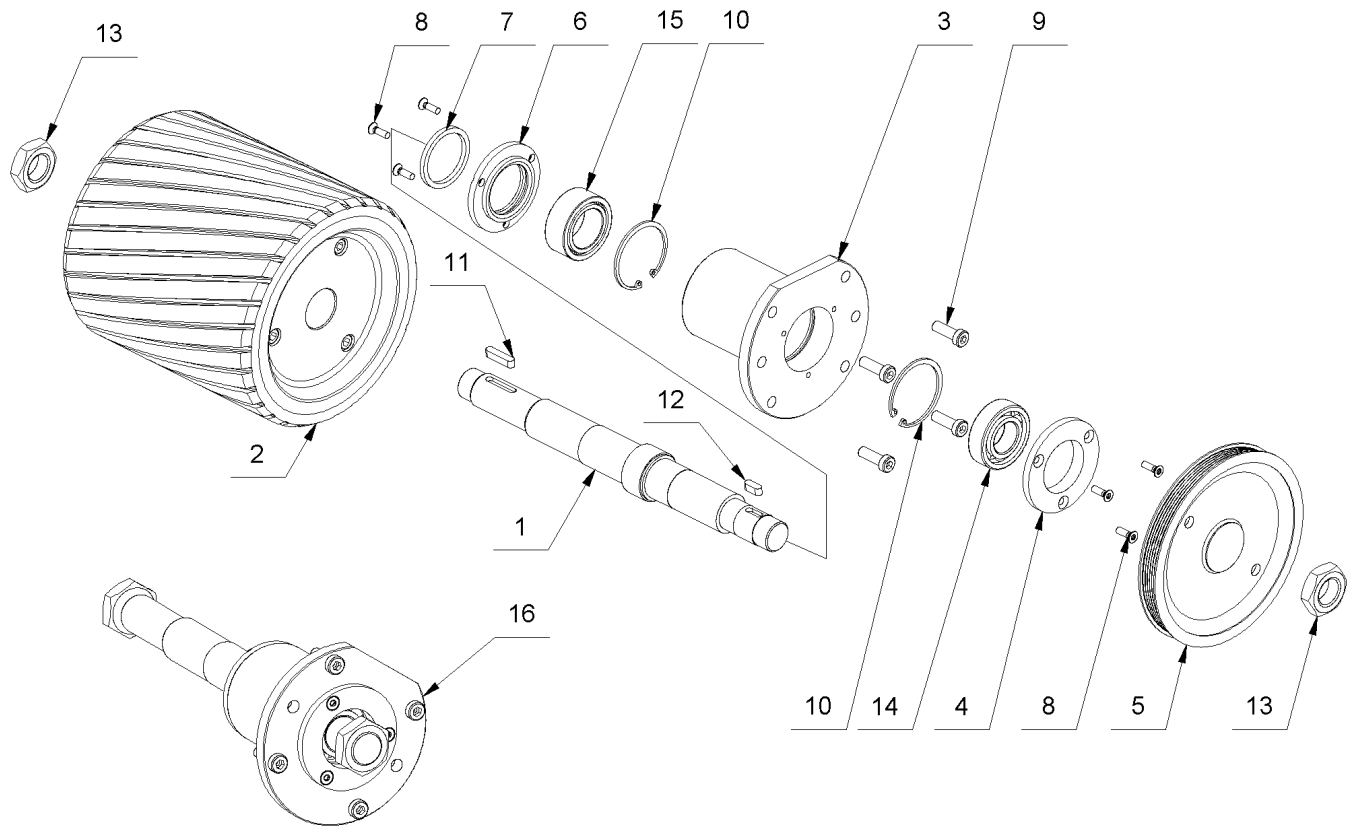
6 Adapter plate



6 Adapter plate

Item no.	Article no.	Description	Quantity
1	080441	Adapter plate2 Frank Cobra 09	1
2	052690	Distance bushing 21x10x8 Cobra 09	1
3	052468	Tension-/guide pulley Cobra 09	1
4	018353	Ball bearing 6200 2RS HS800	1
5	053318	Circlip I30 DIN 472	1
6	014811	Hexagon nut M10 DIN 934	1
7	074814	Distance jack Alu 12x 6x 9	2
8	017558	Lens head screw M 6x25	2
9	018336	Countersunk screw M10x30 DIN 7991 10.9	1

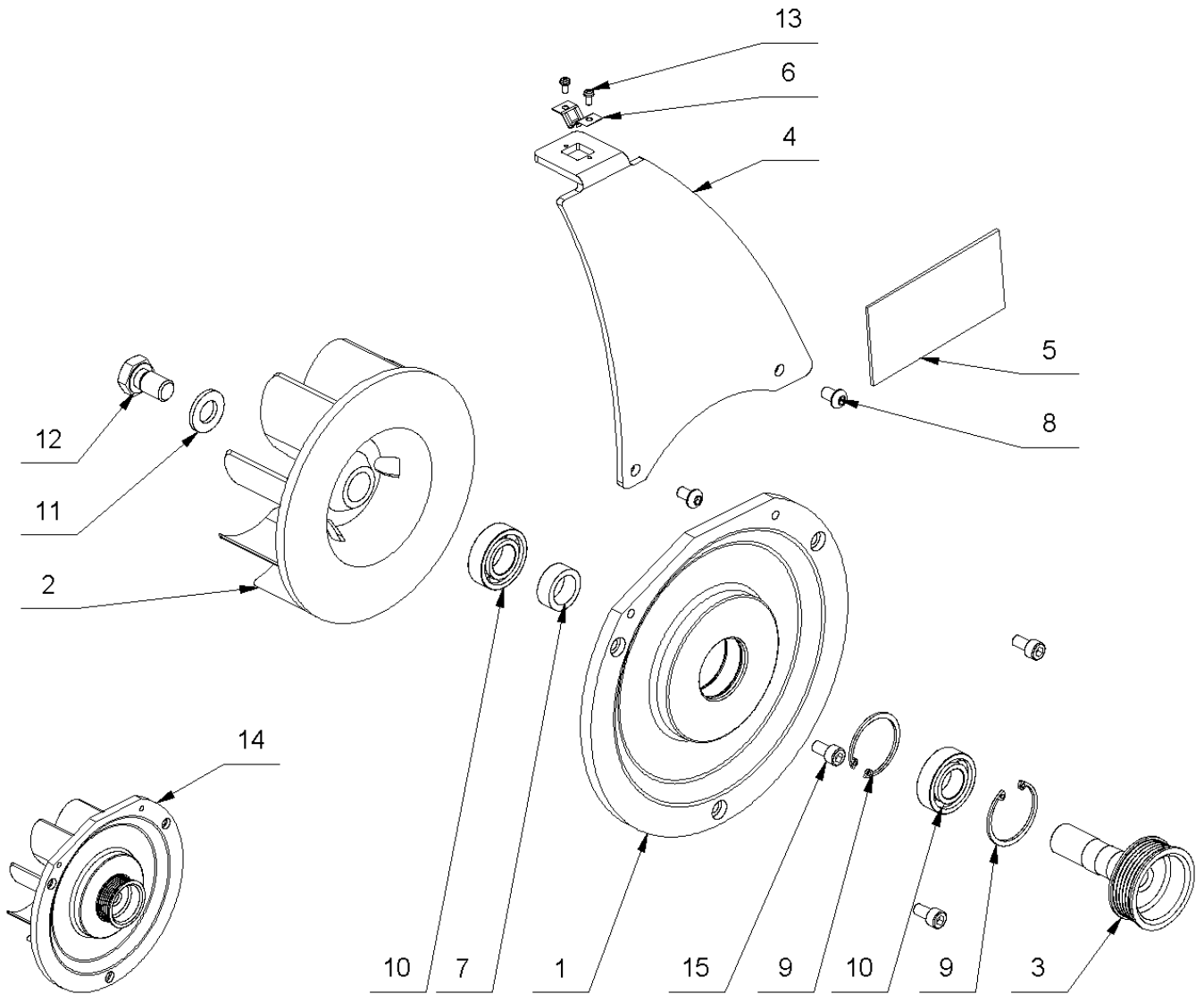
7 Sanding drum bearing



7 Sanding drum bearing

Item no.	Article no.	Description	Quantity
1	052470	Grinding roller shaft Cobra 09	1
2	013587	Grinding roller for Cobra	1
3	016364	Drum bearing flange Cobra	1
4	052482	Cover Cobra 09	1
5	052466	Belt pulley drum Cobra 09	1
6	016366	Inner drum cover Cobra	1
7	016188	Felt sealing ring Cobra/Viper/Python	1
8	080377	Countersunk screw M5x16 (Torx)	6
9	016365	Cylinder head screw M10x45 DIN 6912	4
10	014857	Safety washer I52 DIN 472	2
11	016361	Nut key 6x6x30 DIN 6885	1
12	016505	Nut key 6x6x16 DIN 6885	1
13	014614	Hexagon nut M24x1,5 DIN936	2
14	018348	Ball bearing 6205 2RS	1
15	016183	Ball bearing Cobra NA49/32 Cobra	1
16	053244	Roller bearing flange cpl.Cobra09/CoClas	1

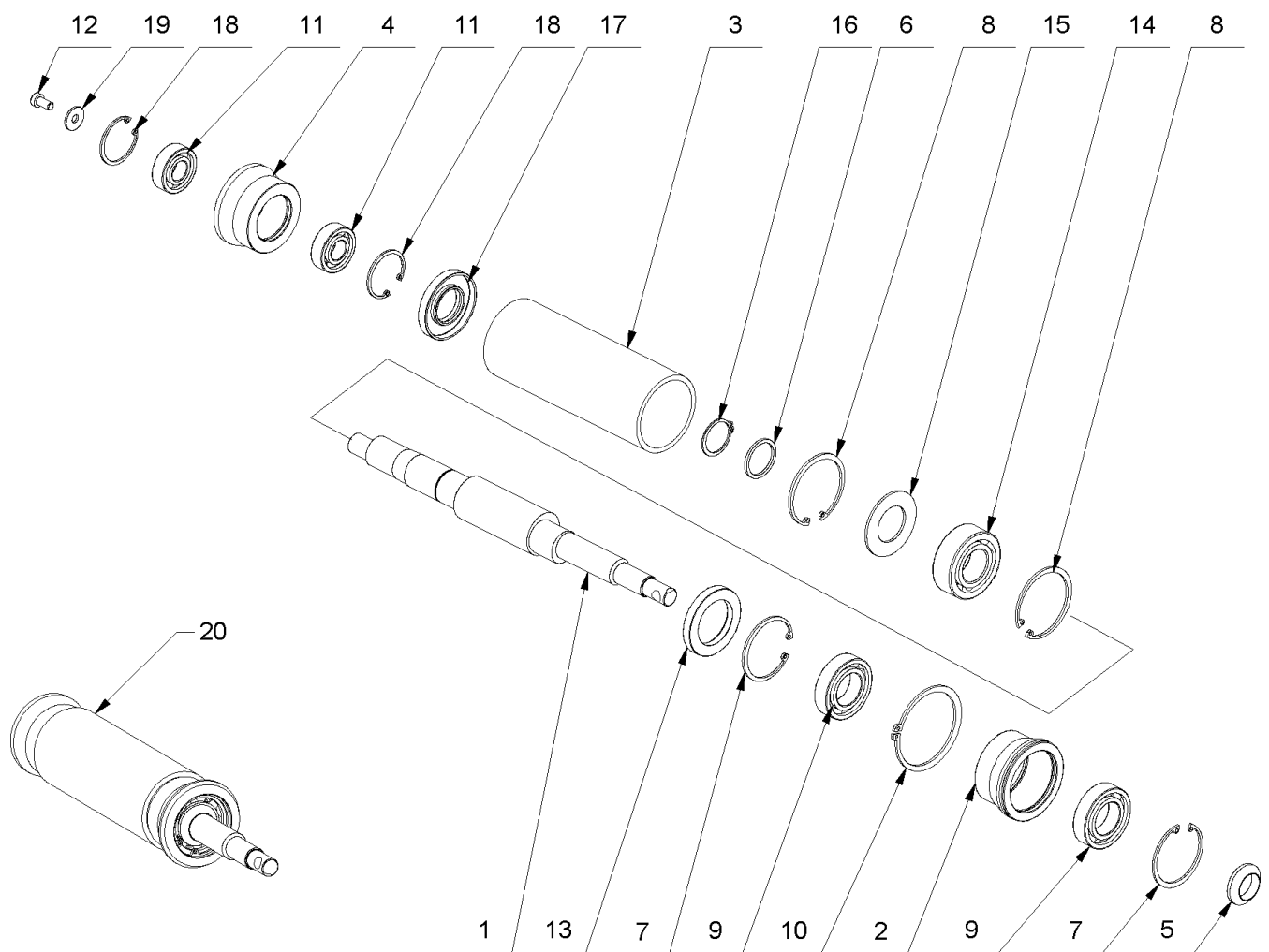
8 Fan



8 Fan

Item no.	Article no.	Description	Quantity
1	052469	Fan flange Cobra 09	1
2	014599	Fan wheel Cobra	1
3	052467	Belt pulley ventilator Cobra 09	1
4	052480	Belt shroud Cobra 09	1
5	078129	Label tip belt extending CobraClassic	1
6	052163	RAPID-spring shackle	1
7	052491	Distance bushing ventilator Cobra 09	1
8	014799	Lens head screw M6x10	2
9	018091	Circlip I35 DIN472	2
10	018359	Ball bearing 6003 2RS	2
11	014830	Washer M12 DIN 125 A	1
12	017455	Hexagon screw M12x 20 DIN 933	1
13	052626	Self-tapping screw M3x6 DIN 75000	2
14	053243	Fan flange cpl. Cobra 09	1
15	014726	Cylinder head screw M6x12 DIN 912	3

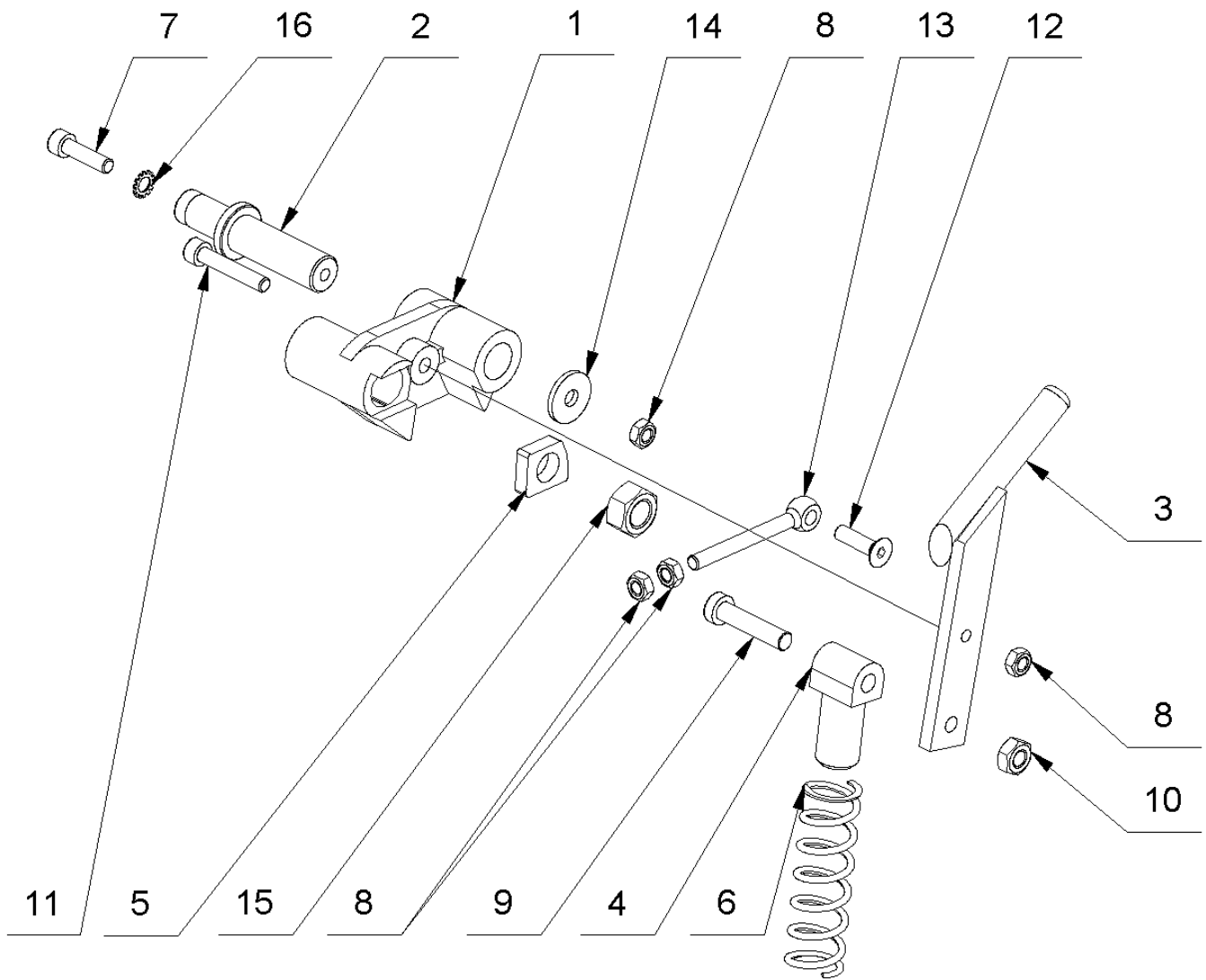
9 Tension roller



9 Tension roller

Item no.	Article no.	Description	Quantity
1	016189	Tension roller shaft Cobra	1
2	014625	Inner roll Cobra/Viper/Python	1
3	014629	Roller empty Viper / Cobra	1
4	014622	Outside roll Cobra/Viper/Python	1
5	016202	Adjustment ring Cobra/Python	1
6	016360	Washer 25x30x2 DIN 988	1
7	014855	Safety washer I47 DIN 472	2
8	014857	Safety washer I52 DIN 472	2
9	014704	Ball-bearing 6005 2RSH	2
10	043894	Looking ring A60 DIN 471	1
11	018351	Ball bearing 6202 2RS	2
12	055830	Cylinder head screw M6x12 DIN 7984	1
13	014628	Inner packing ring Vip/Cob/Pyth 35-52-10	1
14	016198	Swivel bearing 2205 2RS	1
15	043833	Lock washer DIN 137 - B27	1
16	014852	Safety washer A25 DIN 471	1
17	014634	Shaft seal Vip/Cob/Pyth 25-52-10	1
18	018091	Circlip I35 DIN472	2
19	017724	Washer 6,4 DIN 9021	1
20	016845	Tension Roll new complete Cobra	1

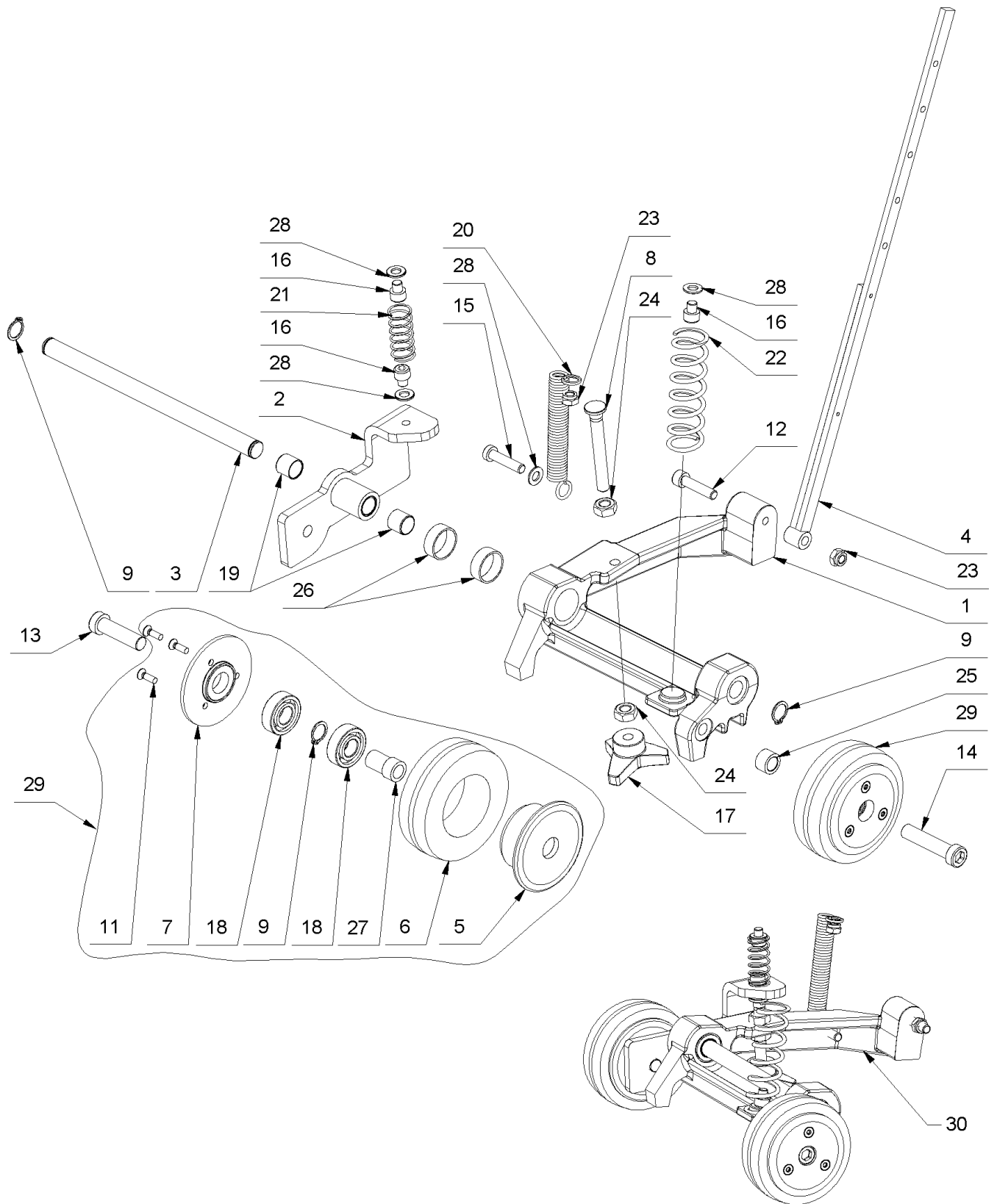
10 Roller clamo



10 Roller clamo

Item no.	Article no.	Description	Quantity
1	016338	Tension roller holder Cobra/Python	1
2	016345	Mounting bolt Cobra/Viper/Python	1
3	053223	Clamping Lever Cobra 09	1
4	016492	Pressure piece Cobra/Viper/Python	1
5	016190	Adjusting plate Cobra/Python	1
6	016179	Pressure spring 30x100x3,5	1
7	014736	Cylinder head screw M8x30 DIN 912	1
8	014810	Hexagon nut M8 DIN 934	4
9	016340	Cylinder head screw M10x45 DIN 6912	1
10	014811	Hexagon nut M10 DIN 934	1
11	016343	Cylinder head screw M10x45 DIN 6912	1
12	017116	Countersunk screw M8x30 10.9 DIN 7991	1
13	016347	Eye screw M8x80 special	1
14	043902	Washer 8,4x30 DIN 522	1
15	014620	Lock nut M16 DIN 934	1
16	016321	Spring washer A 8,4 DIN 6798	1

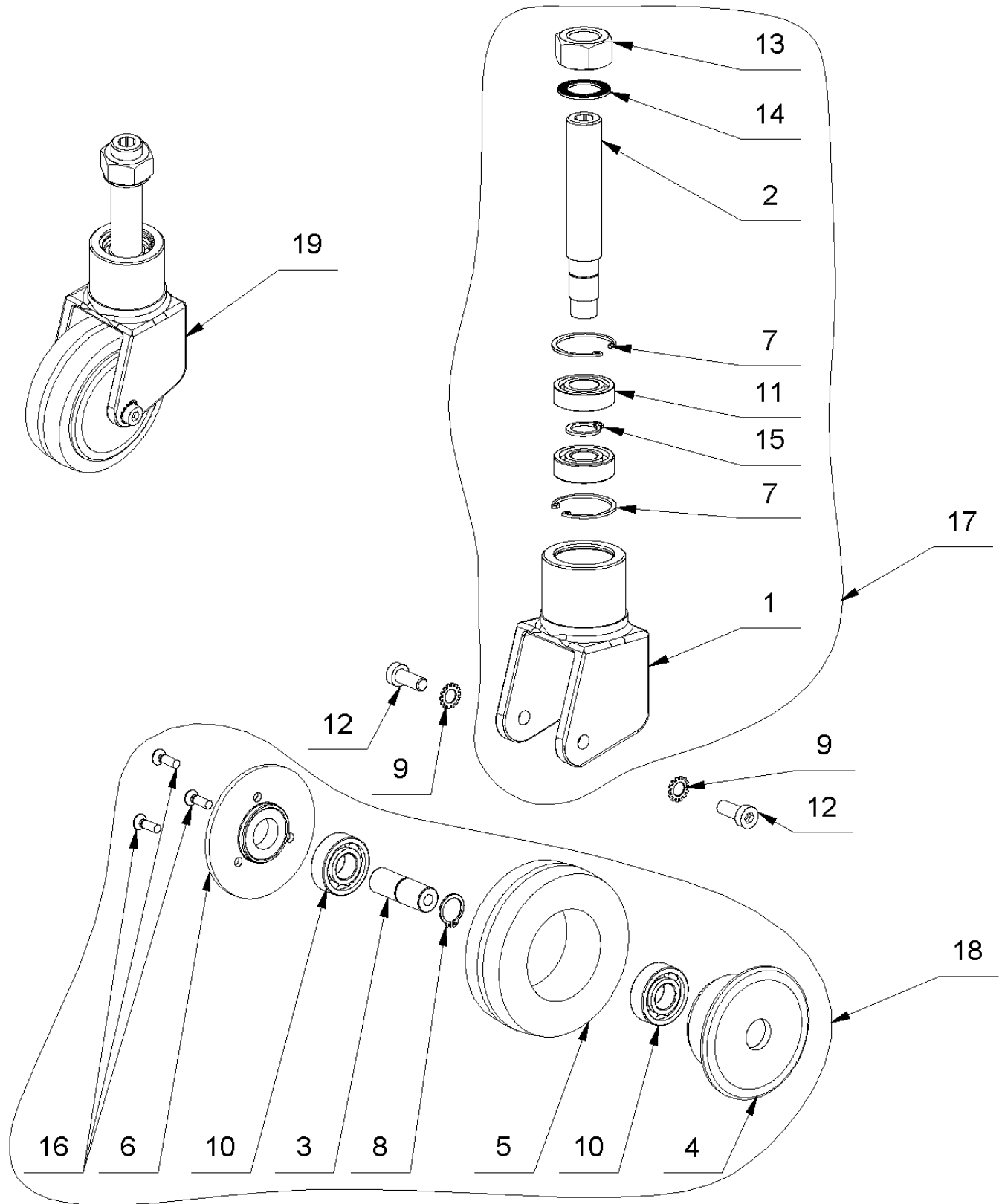
11 Carriage



11 Carriage

Item no.	Article no.	Description	Quantity
1	052471	Gear lever Cobra 09	1
2	052472	Rocker arm Cobra 09	1
3	052473	Chassis axis Cobra 09	1
4	066294	Tow bar lower part 5fach Cobra 09	1
5	016415	Steering and wheel rim Cobra/Viper/Pytho	1
6	053246	Chassis cpl. Cobra 09	1
7	016416	Wheel cover Cobra/Viper/Python	1
8	053287	Hinged foot Cobra 09	1
9	018101	Safety washer A15 DIN 471	3
11	080377	Countersunk screw M5x16 (Torx)	3
12	014737	Cylinder head screw M8x35 DIN 912	1
13	056142	Cylinder head screw M12x50 DIN 6912	1
14	016554	Cylinder head screw M12x55 DIN 6912	1
15	016430	Cylinder head screw M8x35 DIN 6912	1
16	062130	Cylinder head screw M8x8 DIN 912	3
17	037940	Three-star grip nut D63 x M10	1
18	018351	Ball bearing 6202 2RS	2
19	067685	Friction bearing GSM 1517-15	2
20	068202	Tension spring D 2,5	1
21	059669	Pressure spring VD-212C / 19,80x44x1,60	1
22	016179	Pressure spring 30x100x3,5	1
23	014816	Hexagon nut M8 DIN 985	2
24	014811	Hexagon nut M10 DIN 934	2
25	016446	Distance bushing 18x12x11 Cobra	1
26	052953	Bushing 2510	2
27	016422	Socket for wheel axle Cobra/Viper/Python	1
28	014828	Washer M8 DIN 125 A	4
29	037082	Wheel compl.Cobra/Viper/Python	1
30	053246	Chassis cpl. Cobra 09	1

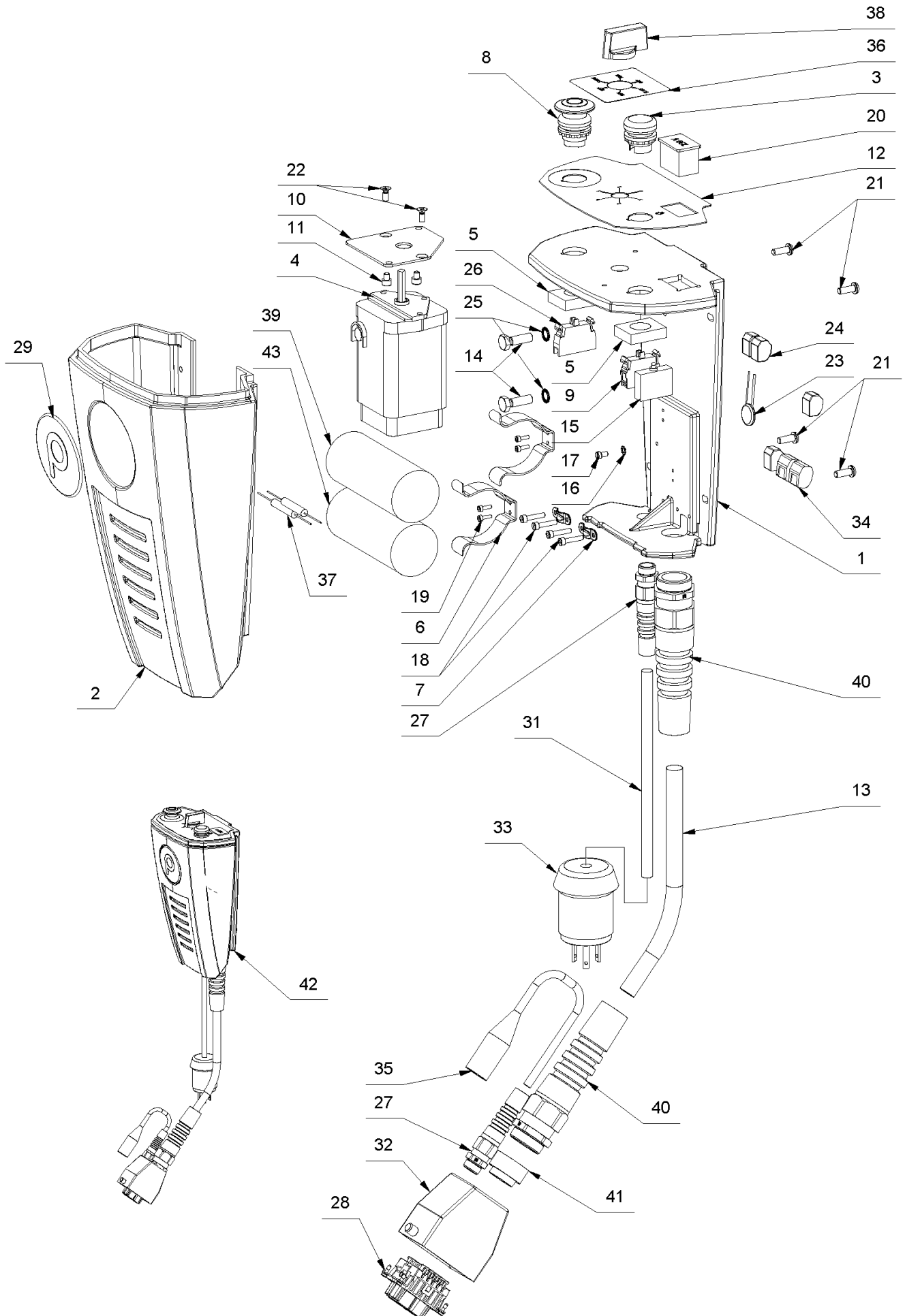
12 Caster



12 Caster

Item no.	Article no.	Description	Quantity
1	016406	Steering wheel fork Cobra/Viper/Python	1
2	016410	Casting shaft Cobra/Python	1
3	014601	Caster wheel Cobra/Viper/Python	1
4	016415	Steering and wheel rim Cobra/Viper/Pytho	1
5	016171	Vulcolan tyre Cobra/Viper/Python	1
6	016416	Wheel cover Cobra/Viper/Python	1
7	018091	Circlip I35 DIN472	2
8	018101	Safety washer A15 DIN 471	1
9	016321	Spring washer A 8,4 DIN 6798	2
10	018351	Ball bearing 6202 2RS	3
11	018359	Ball bearing 6003 2RS	1
12	016413	Cylinder head screw M6x150 DIN 912	2
13	039981	Hexagon nut M20x1,5 DIN 934	1
14	074979	Washer M20	1
15	014850	Safety washer A17 DIN 471	1
16	016312	Countersunk bolt M5x16 DIN 7991 10.9	3
17	047064	Steering wheel fork without wheel Cobra	1
18	048583	Steering Wheel compl	1
19	016380	Steering wheel with fork cpl.	1

13 Cockpit



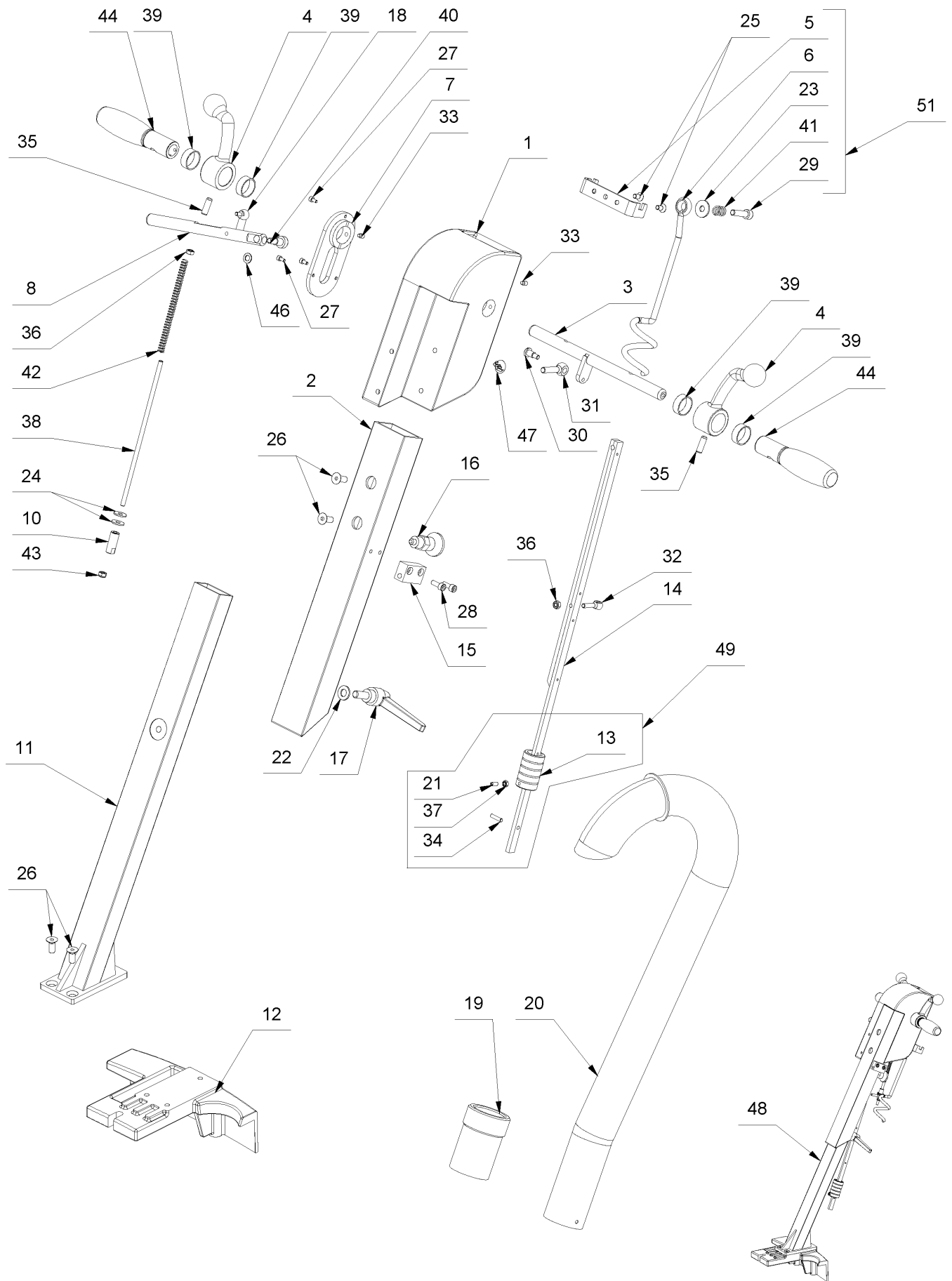
13 Cockpit

Item no.	Article no.	Description	Quantity
1	060284	Support cast Cockpit Cobra 09 maisgelb	1
2	052373	Cover Cockpit Cobra 09	1
3	052444	Pushbutton Cobra 09	1
4	047925	Switch insert 3.68kW/60Hz Cobra	1
5	017503	Adapterattachment	2
6	052434	Spring clamps Cobra 09	2
7	015211	Cable clamp Motor Duro 2.0	2
8	052443	Safety switch	1
9	017505	Contact element shut	1
10	053073	Adapting plate f.switch Cobra 09	1
11	018276	Cylinder head screw M5x6 DIN 912	2
12	130515	Slide display orange Cobra 09	1
13	053509	Control line Cobra 09 USA	1
14	014775	Hexagon bolt M8x25 DIN 933	2
15	038638	LED for signal lamp	1
16	017663	Tooth lock washer 4.3 Form A DIN 6797	1
17	017473	Cylinder head screw M4x8 DIN 84 brass	1
18	017725	Cylinder head screw M4x20 DIN 912	4
19	014715	Cylinder head screw M3x10 DIN 912	4
20	078604	Digital meter with large clip Cobra09	1
21	017552	Lens head screw M 6x16 ISO 7380	4
22	LU Pos 3 043869	Countersink bolt M5x12	2
23	056885	Varistor Cobra 09	1
24	050146	Terminal connector 2-fold	4
25	014860	Schnorr Washer M8	2
26	017507	Contact element open	1
27	038585	Strain relief w.bending prot.M16x1,5	2
28	053511	Bush insert 10E polig	1
29	129934	Label Pallmann 3D Ø 80mm	1
31	053510	El.cord 3G2,5x0,4m grey without plug	1
32	053512	Hose nozzle	1
33	060546	plug 30A 250V Hubbell USA	1
34	050145	Connection terminal 3-fold	2
35	052583	Jack Cobra 09	1

13 Cockpit

Item no.	Article no.	Description	Quantity
36	148072	label OFF-STAR-RUN	1
37	063263	discharge resistor Cobra 09	2
38	043875	Switch Knob	1
39	043843	Start Capacitor 60 µF Ducati	1
40	062593	Screw connection w.bending prot.M32x1,5	2
41	062596	reducing Cockpit Cobra 09 USA	1
42	064256	Cockpit cpl.240V/60Hz Cobra09PallmannUSA	1
43	074929	Capasitor 110µF	1

14 Handle



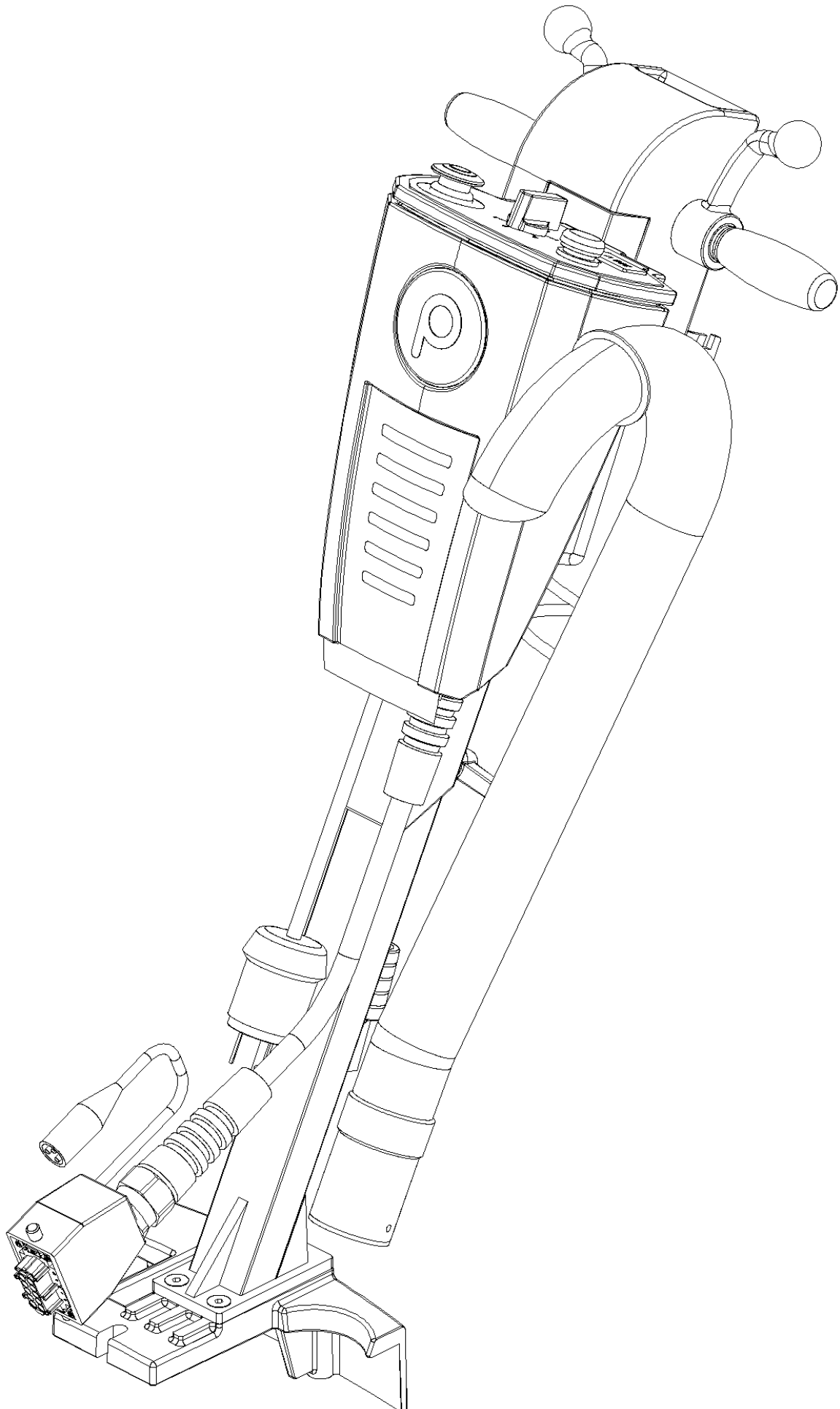
14 Handle

Item no.	Article no.	Description	Quantity
1	052375	Cover grip Cockpit Cobra 09	1
2	052611	Outside tubeCobra 09	1
3	052629	Shaft f. lowering device Cobra 09	1
4	052538	Lever to operate Cobra 09	2
5	016521	Cable support Cobra/Viper/Python	1
6	016665	331/40 Cable arm short USA	1
7	052486	Bearing cover Cobra 09	1
8	052485	Lever Cobra 09	1
10	054529	Adjustment nut Cobra 09	1
11	066293	SG Inside tube5fach Cobra 09	1
12	052390	Handle bracket Cobra 09	1
13	053105	Box tow bar Cobra 09	1
14	055870	Tow bar upper part soft cpl. Cobra 09	1
15	054369	mounting plate Cobra 09	1
16	037953	Fixing pin	1
17	037952	Clamping lever M10x25	1
18	016632	Angle joint Cobra/Viper/Python	1
19	062045	Suction nozzle Dust / Cobra09	1
20	052684	Dust pipe Staubrohr Cobra 09	1
21	053418	Elastic pressure pieceM6 M5 NLN 0300-0	1
22	014829	Washer M10 DIN 125 A	1
23	018737	Washer 8,4 DIN 9021	1
24	017724	Washer 6,4 DIN 9021	2
25	014755	Countersunk screw M6x12 DIN 7991 10.9	2
26	014760	Countersunk screw M8x20 DIN 7991 10.9	5
27	018280	Cylinder head screw M4x8 DIN 912	3
28	014729	Cylinder head screw M 6x16 DIN 912	2
29	014736	Cylinder head screw M8x30 DIN 912	1
30	052489	Flat head screw hardened Cobra 09	1
31	047216	Eye screw M 8x40 DIN 444	1
32	074815	Ring screw M6x30	1
33	014792	Headless pin M6x10 DIN 915	2
34	018135	Cylindrical pin 5x 20 DIN 7	1
35	053824	cylindrical pin 8x 24 DIN 7979	2

14 Handle

Item no.	Article no.	Description	Quantity
36	014809	Hexagon nut M6 DIN 934	2
37	017773	Hexagon nut M5 DIN 934	1
38	054528	Control rod Cobra 09	1
39	052953	Bushing 2510	4
40	052936	Screw M8x12 DIN 7379	1
41	043827	Pressure spring 13x20x1,5	1
42	016638	Pressure spring 9x167x1,2	1
43	014815	Hexagon nut M6 DIN 985	1
44	081808	Grip with coating Cobra 09	2
46	017656	Shim ring 8x14x1 DIN 988	1
47	072687	Stopper 12,7-14,3 mm black	1
48	056249	Handle cpl. Cobra 09 USA	1
49	053419	Sliding collar Cobra 09	1
51	056248	Cable support cpl. USA	1

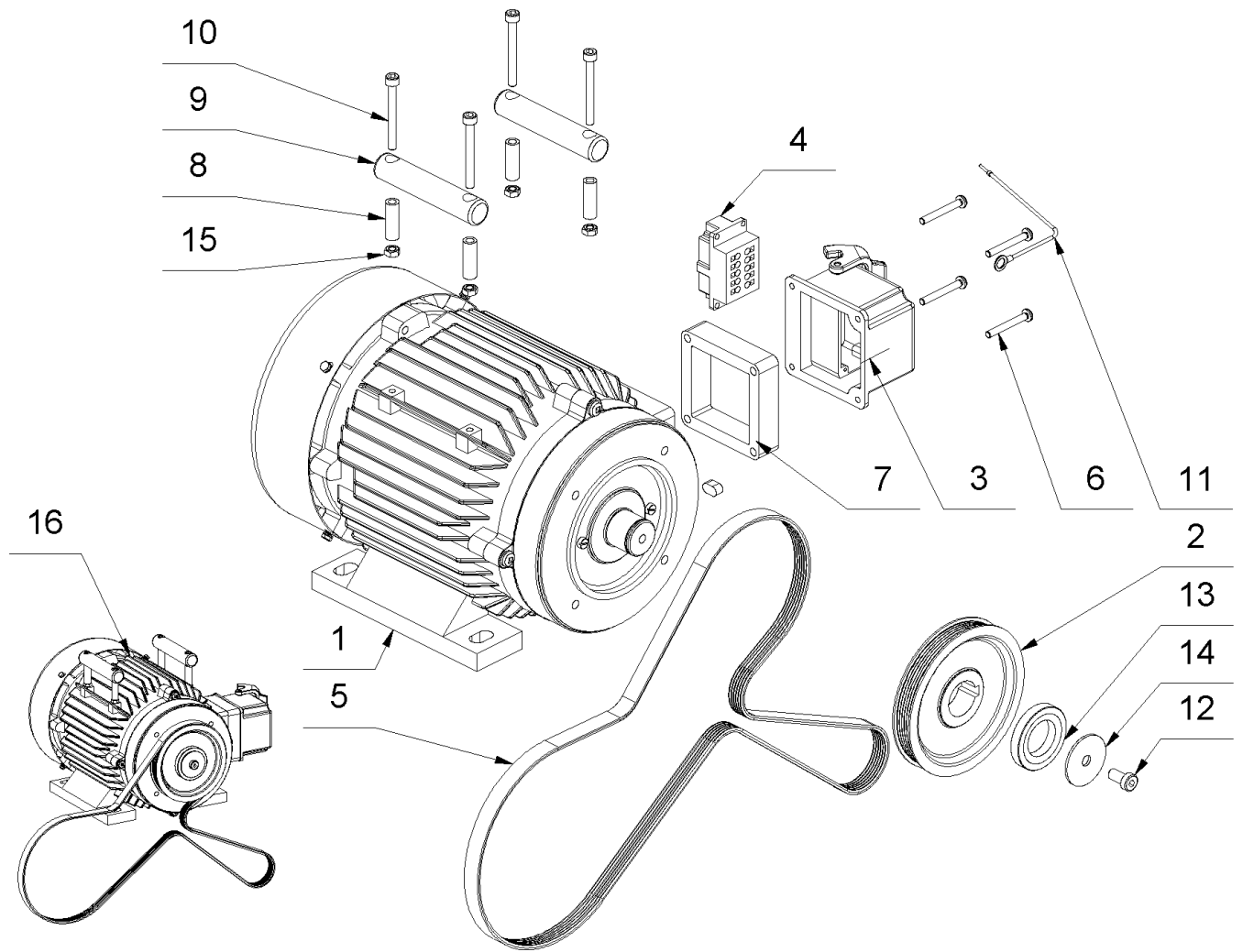
15 Handle compl.



15 Handle compl.

Item no.	Article no.	Description	Quantity
1	073837	Handle with cockpit cpl. Cobra 09 USA	1

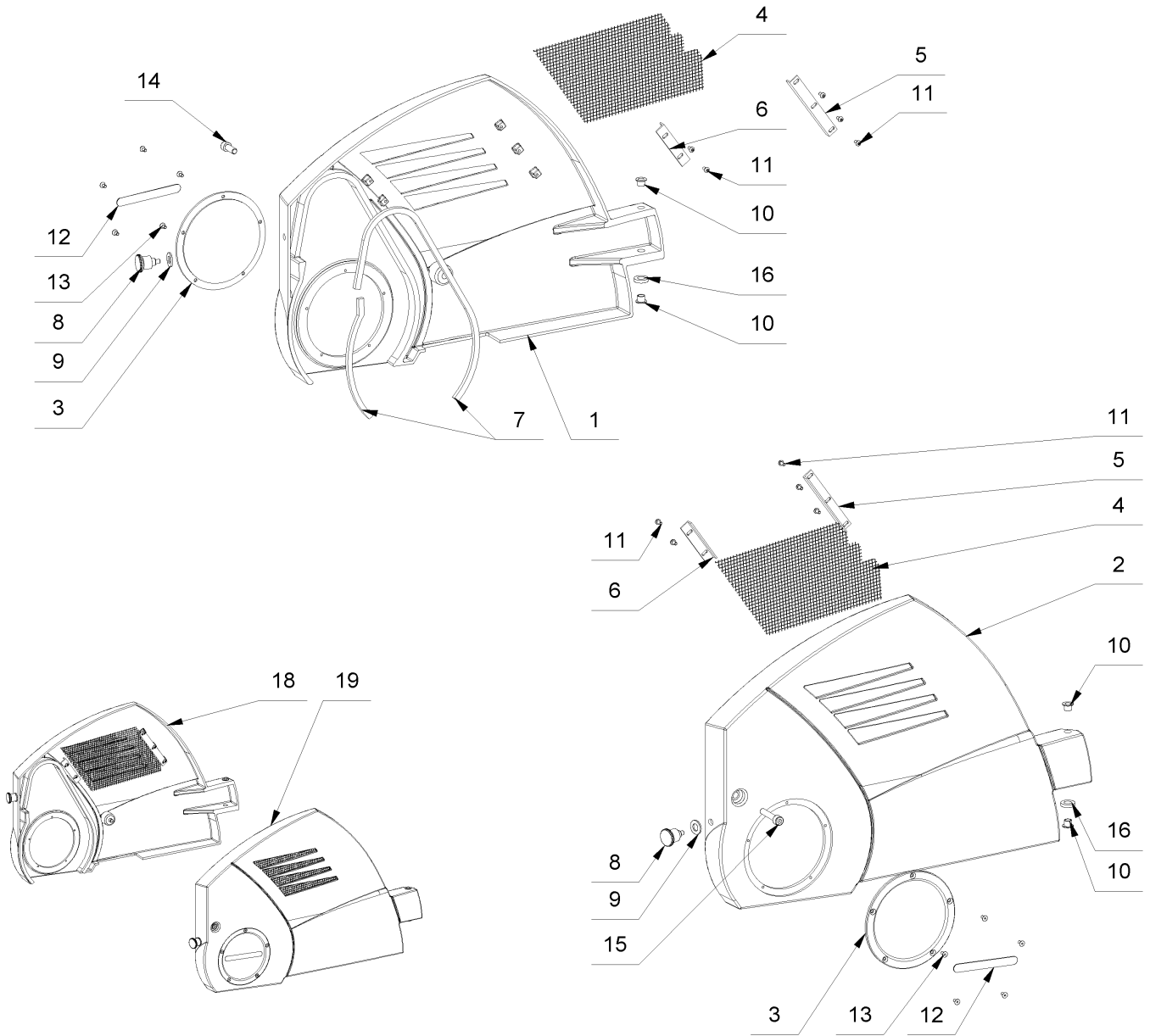
16 Motor



16 Motor

Item no.	Article no.	Description	Quantity
1	053486	Motor 3,68kW 240V/60Hz Cobra 09 USA	1
2	052462	Belt pulley motor Cobra 09	1
3	053813	Motor connector housings	1
4	053812	Pin employment 10 polig	1
5	074585	Poly V Belt 6PJ 1285 Cobra 09	1
6	052624	Screw self-tapping M5x40 DIN 7500	4
7	052613	Distance piece Cobra 09	1
8	074497	Distance ring d10x6x30	4
9	074727	Handle Motor Part2 Frank Cobra 09	2
10	018261	Cylinder head screw M6x55 DIN 912	4
11	053485	Cable set Motor Cobra 09	1
12	043918	Cylinder head screw M8x16 DIN 7984	1
13	074425	Ring Motor pulley FrankCobra09	1
14	043903	Washer 8,4x40x1,5 DIN 522	1
15	014809	Hexagon nut M6 DIN 934	4
16	053508	Motor cpl.3,68kW/240V/60Hz Cobra 09 USA	1

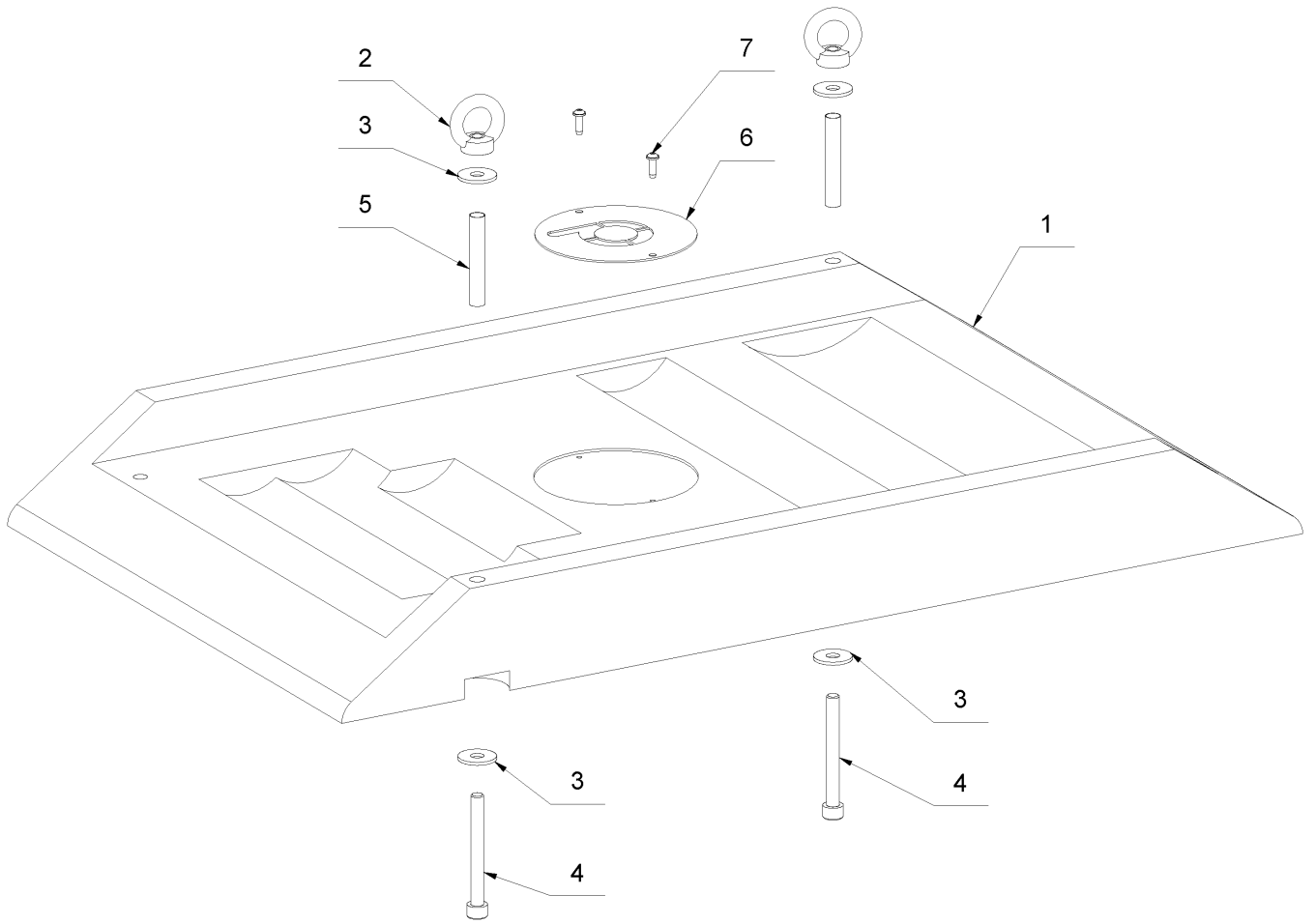
17 Cover



17 Cover

Item no.	Article no.	Description	Quantity
1	052361	Cylinder door right Cobra 09	1
2	052364	Belt door left Cobra 09	1
3	052595	Door panel Cobra 09	2
4	060283	WirefenceCobra 09 Pallmann	2
5	053460	Bracket 111mm Cobra 09	2
6	053459	Bracket 72mm Cobra 09	2
7	056533	Sealing set cover right	2
8	052440	Arresting bolt	2
9	014829	Washer M10 DIN 125 A	2
10	052490	Bushing BB 08085	4
11	056488	Lens head screw M4x 8	10
12	129933	Label Frank tec inside orangeCobra09	1
13	018324	Countersunk screw M4x8 DIN 7991 10.9	10
14	014734	Cylinder head screw M8x20 DIN 912	1
15	014738	Cylinder head screw M8x40 DIN 912	1
16	053482	Plastic spacer 10,5x20x4 black	2
18	060275	Door on the right cpl. Cobra 09 Pallmann	1
19	060277	Door on the left cpl. Cobra 09 Pallmann	1

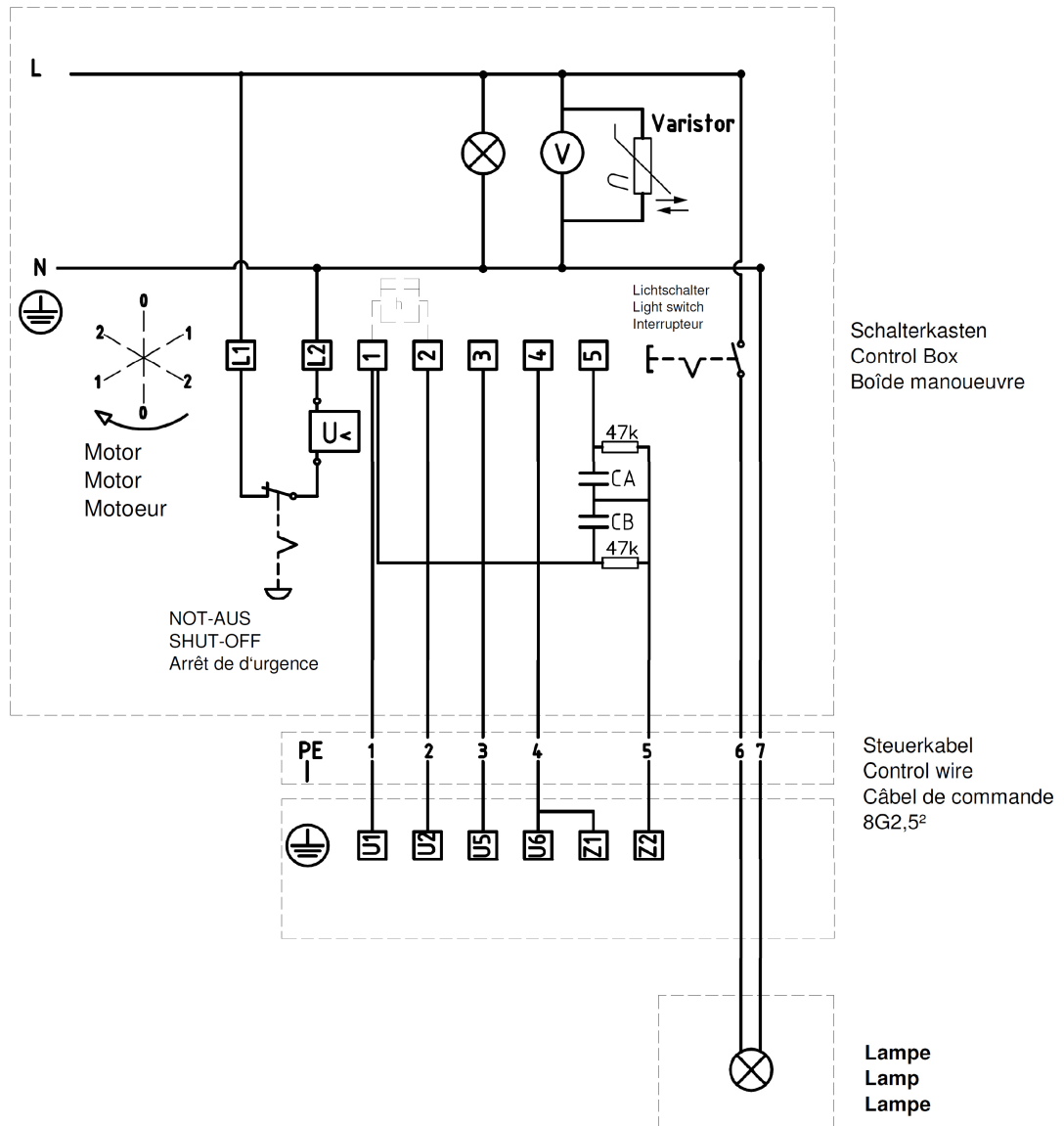
18 Travel Base



18 Travel Base

Item no.	Article no.	Description	Quantity
1	125926	Travel Base Rohling	1
2	050936	Ring nut M10 DIN 582 VA	2
3	018236	Washer 10.5 DIN 9021	4
4	017548	Cylinder head screw M10x90 DIN 912	2
5	051161	Sleeve Travel Base	2
6	064388	Logo badge Pallmann Logo	1
7	051027	EJOT Screw Torx 5x16	2
o.Abb.	133102	Tension belt orange Travel Base USA	1

19 Circuit diagram



19 Circuit diagram

20 Tool kit #060281

Article no.	Description	Quantity
017601	Open-end wrench SW17	1
016842	Open-ended wrench SW10	1
016799	Open-end wrench SW13	1
016800	Open-end wrench SW19	1
018635	Open-end wrench SW24	1
043826	Double open-end wrench SW30/36	1
017027	Hexagonal screw key SW4 DIN 911	1
014956	Hexagonal screw key SW5 DIN 911	1
014957	Hexagonal screw key SW6 DIN 911	1
014959	Hexagonal screw key SW8 DIN 911	1
018641	Hexagonal screw key SW10 DIN 911	1
060253	Tool bag orange	1
016813	Multi clip URS/Gecko/Cobra/Viper	1

21 Accessories

Article no.	Description	Quantity
012624	CORUNDUM SANDING BELT 200 X 750 MM K 36	1
012627	CORUNDUM SANDING BELT 200 X 750 MM K 60	1
012629	CORUNDUM SANDING BELT 200 X 750 MM K 100	1
060282	extension cord3G2,5x12,5 orange/Pallmann	1
060602	Extension cord 3G2,5x12,5 AUS 15A	1
015315	Hearing protectors	1
016732	Fine dust mask Gecko/URS/Cobra	1
052441	DUST BAG BAG IN BAG COBRA 09 PALLMANN	1
071729	DUST BAG STANDARD COBRA 09 PALLMANN	1
052442	INSIDE SACK COBRA 09	1
062045	Suction nozzle Dust / Cobra09	1
074585	Poly V Belt 6PJ 1285 Cobra 09	1
048681		1
053131	Halogen lamp cpl.230V Cobra 09	1