



**PALLMANN®**

wood floors. protected

**spare parts list**

**Pallmann Gecko Star 2.0 115V Ø178 USA**



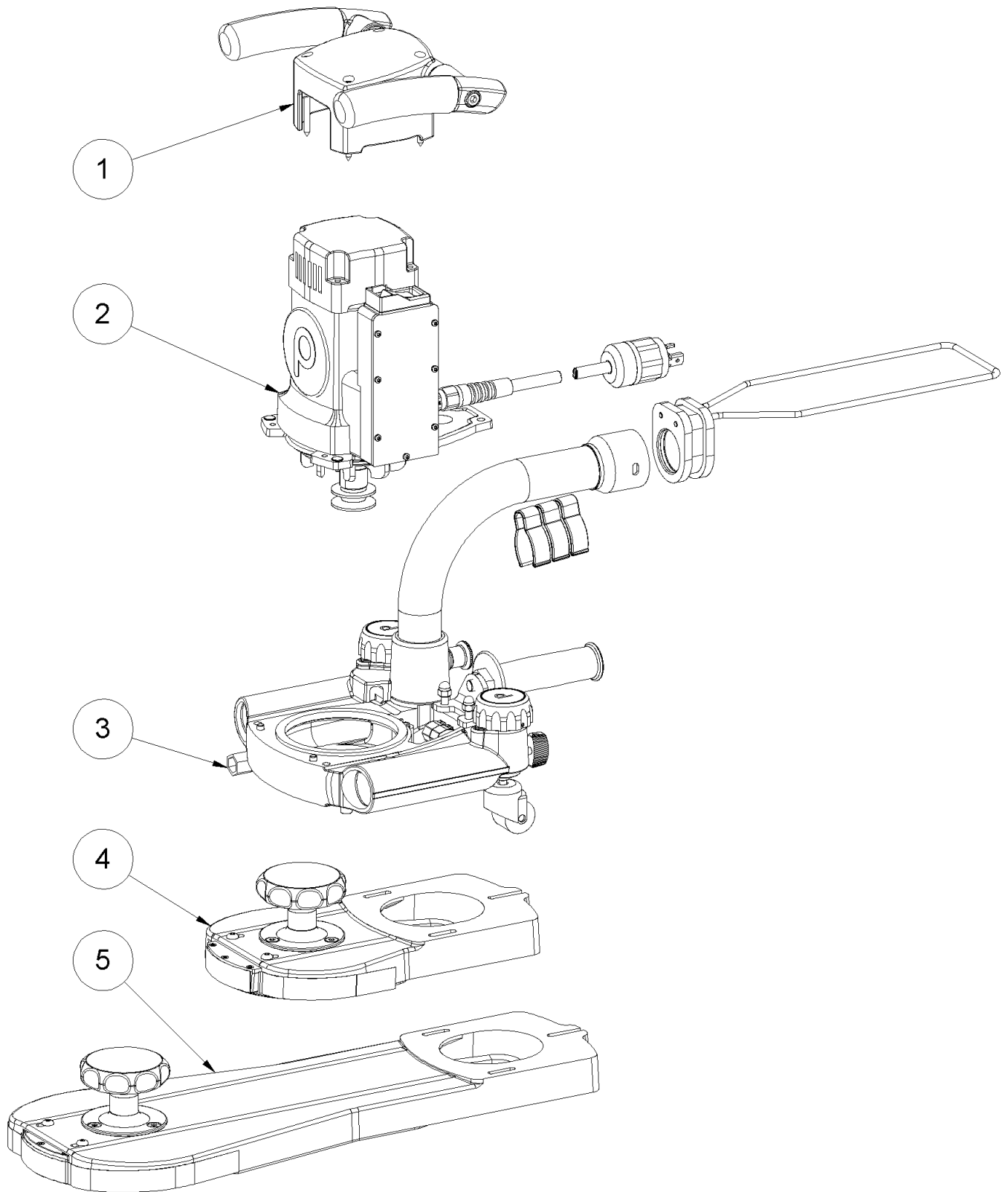
## Table of contents

---

1 Gecko Star 2.0 115V USA (0001/2017-up to now)	3
1 Cover Motor	5
2 Motor	7
1 Motor cpl.115V/50-60Hz Gecko Star	9
3 Chassis	11
4 Short sanding arm Ø178 mm	14
5 Long sanding arm Ø178 mm	16
6 Circuit diagram	18
7 Tool kit	20

# 1 Gecko Star 2.0 115V USA (0001/2017-up to now)

---

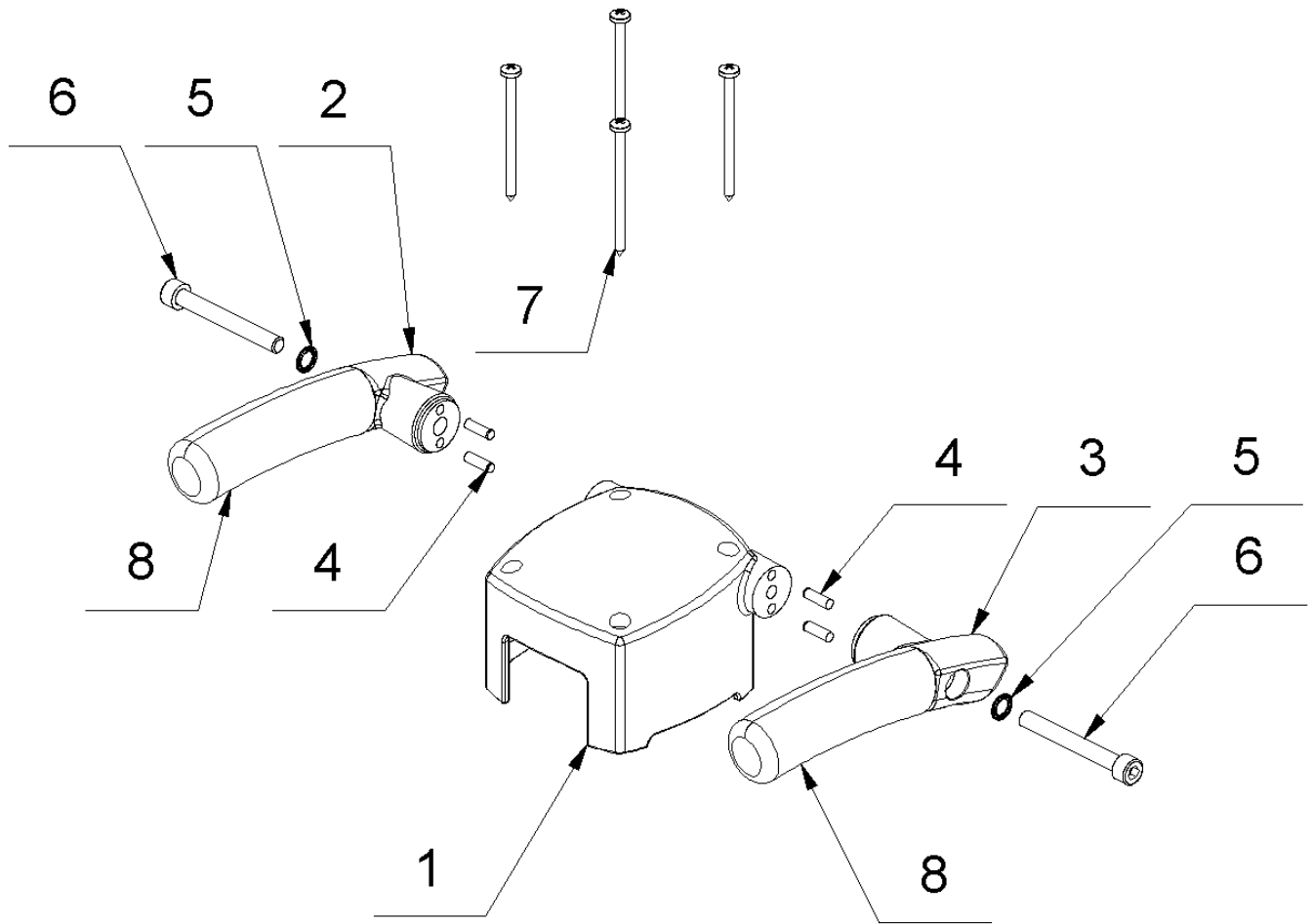


## 1 Gecko Star 2.0 115V USA (0001/2017-up to now)

---

Item no.	Article no.	Description
1	01_01_067301	Cover Motor
2	01_02_067301	Motor
3	01_03_067301	Chassis
4	01_04_065827	Short sanding arm Ø178 mm
5	01_05_065826	Long sanding arm Ø178 mm
6	01_06_067301	Circuit diagram
7	01_07_083869	Tool kit

# 1 Cover Motor

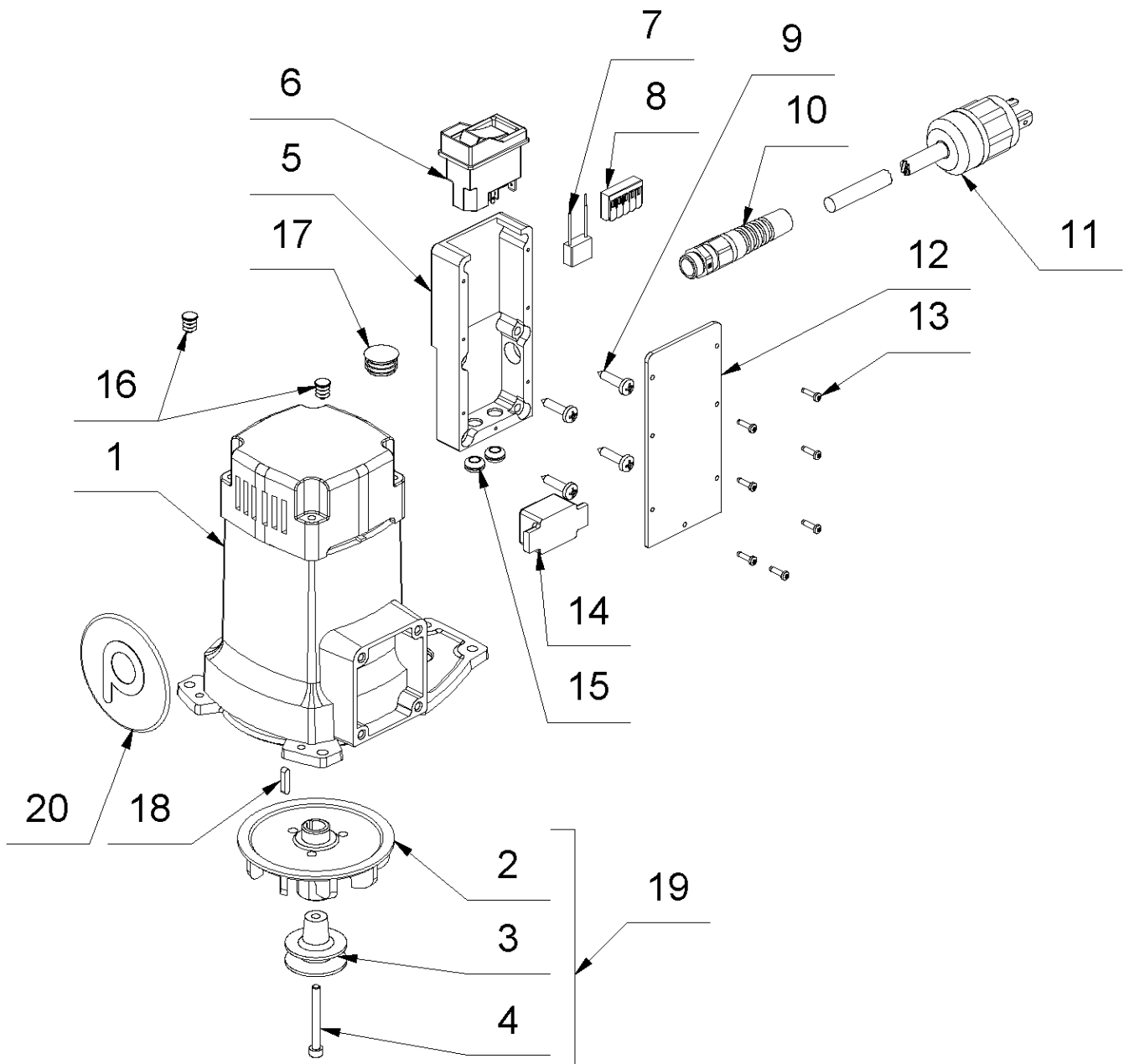


## 1 Cover Motor

---

Item no.	Article no.	Description	Quantity
1	067884	Motor hood Gecko Star/Pure	1
2	081093	Handle left w.grip cover Gecko Star/Pure	1
3	081090	Handle right w.grip cover GeckoStar/Pure	1
4	017723	Cylindrical pin 5x 16 DIN 6325	4
5	014860	Schnorr Washer M8	2
6	018251	Cylinder head screw M8x65 DIN 912	2
7	068311	Fillister head screw 4,8x80 DIN 7980C	4
8	047310	Grip covering Magura	2

## 2 Motor

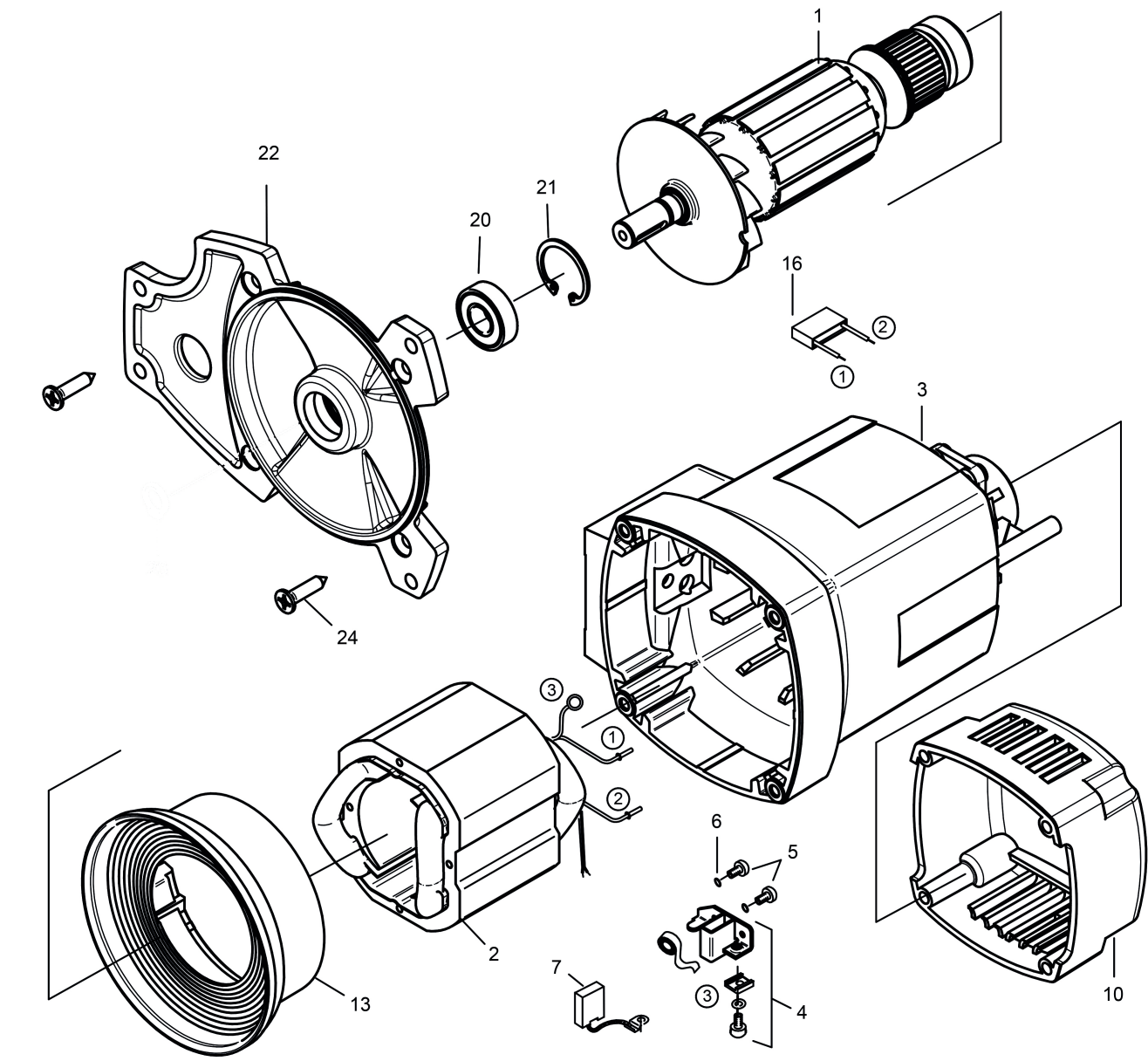


## 2 Motor

Item no.	Article no.	Description	Quantity
1	070939	Motor cpl.115V/50-60Hz Gecko Star	1
2	080204	Dust fan w.axle GeckoStar/Pure	1
3	079921	Motor pulley conus Gecko Star/Pure	1
4	060220	Cylinder head screw M5x45 10.9 micro	1
5	083831	Switchbox Gecko Star 2.0	1
6	071112	Built-in switch 115V/60Hz Gecko Star	1
7	018771	Anti-interference capacitor	1
8	072951	Terminal connector 5-fold	1
9	083746	Pan head tapping screw 5,5x25 ISO 7049	4
10	038585	Strain relf w.bending prot.M16x1,5	1
11	083818	Pigtail 3G1,5 <sup>2</sup> x0,5m orange USA	1
12	083769	Cover Switchhousing Gecko Star 2.0	1
13	083770	Lens head screw 3x12	7
14	081104	Power supply Gecko Star	1
15	083816	Diaphragm grommet one-sid 6.4/9.9 black	2
16	019117	Stopper Ø7,0-8,4 x 11,5 black	2
17	068315	Stopper Ø 22,0x11,5 black	1
18	014900	Parallel key 4x4x18 DIN 6885	1
19	081512	Dust fan complete GeckoStar/Pure	1
20	129934	Label Pallmann 3D Ø 80mm	1



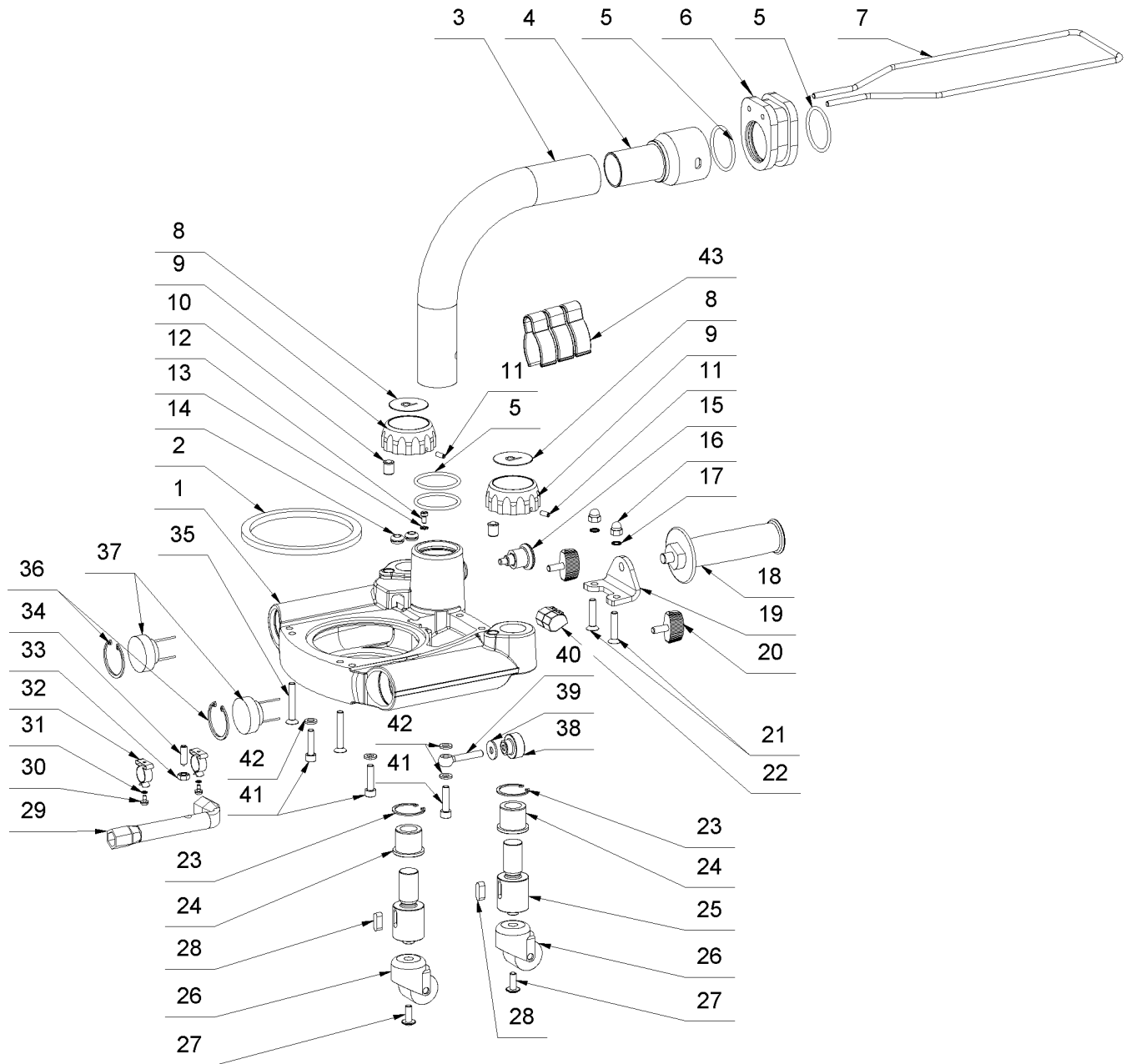
# 1 Motor cpl.115V/50-60Hz Gecko Star



## 1 Motor cpl.115V/50-60Hz Gecko Star

Item no.	Article no.	Description	Quantity
1	067192	Edge runner cpl.115V Gecko Star/Pure	1
2	067194	Coil ring cpl.110V Gecko Star/Pure	1
3	067195	Motor housing Gecko Star/Pure	1
4	067196	Carbon brush holder Gecko Star/Pure	2
5	067197	Screw ZM 4x12 GeckoStar	4
6	066724	Spring washer B M4 DIN 137	4
7	067199	Carbon brushes 2 pieces Gecko Star/Pure	1
10	067204	Cap f.Motor housing Gecko Star/Pure	1
13	067214	Air guide ring cpl. Gecko Star/Pure	1
16	018771	Anti-interference capacitor	1
20	083870	Ball bearing 6007 2RSL/C3HT	1
21	017691	Circlip washer I28 DIN 472	1
22	056568	Bearing plate Gecko Star /Pure	1
24	067220	Counter sunk screw 5x25 Gecko Star/Pure	4

# 3 Chassis



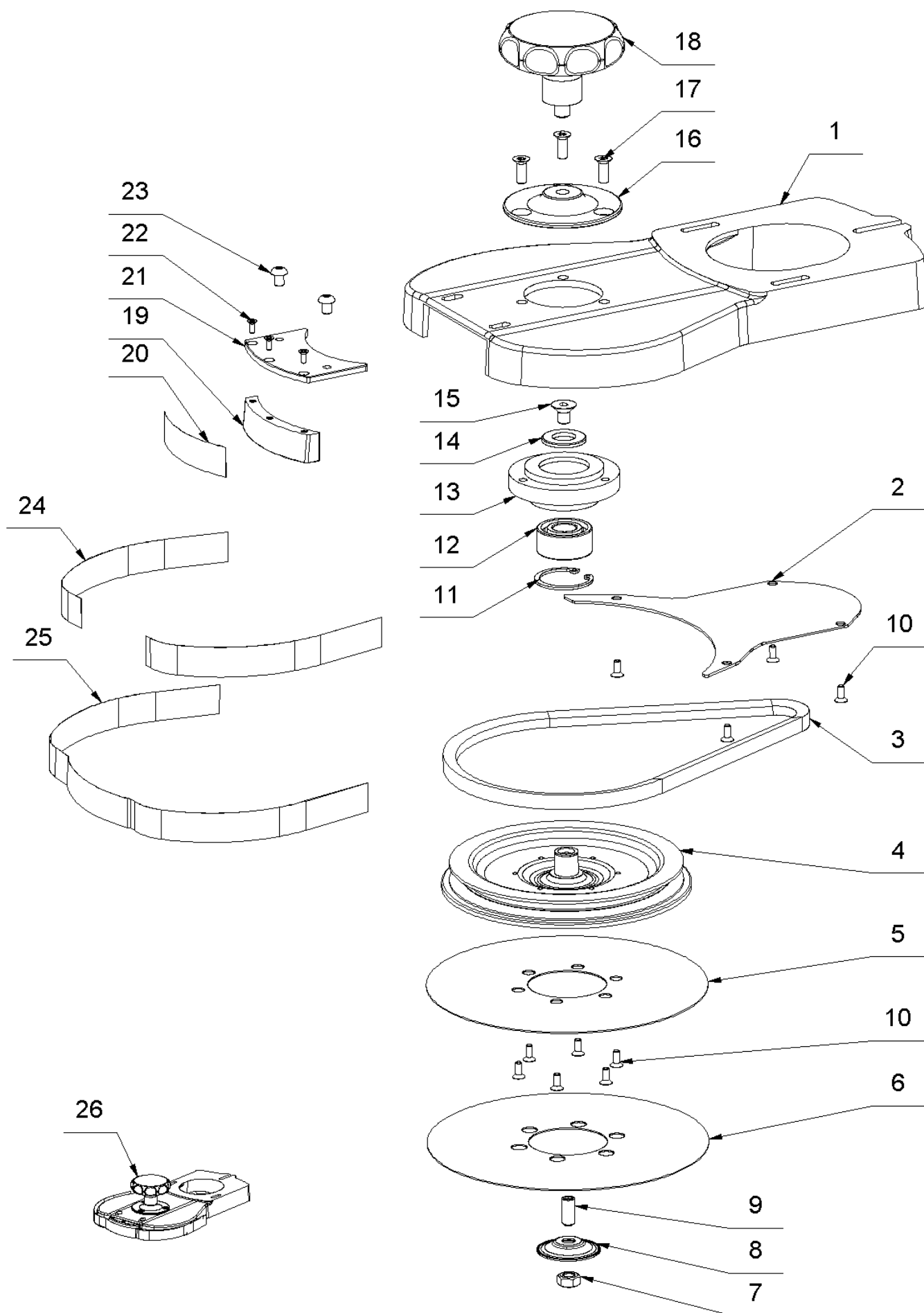
### 3 Chassis

Item no.	Article no.	Description	Quantity
1	056565	Chassis Gecko Star/Pure	1
2	087388	Sealing	1
3	066309	Dust pipe short Gecko Star/Pure	1
4	066218	Sleeve dust pipe Gecko/Dust	1
5	070634	O-Ring 38,5 x 3,00 - NBR 70	4
6	056592	Flange for Dust Bag Gecko Star/Pure	1
7	066292	Shackle for Dust Bag Gecko Star/Pure	1
8	066604	Scale thumbwheel Gecko Star/Pure	2
9	056593	Setting Wheel Gecko Star/Pure	2
10	017781	Ball catch	2
11	066664	Headless pin M4x10 /DIN 913	2
12	017473	Cylinder head screw M4x8 DIN 84 brass	1
13	017663	Tooth lock washer 4.3 Form A DIN 6797	1
14	083816	Diaphragm grommet one-sid 6.4/9.9 black	2
15	052440	Arresting bolt	1
16	017687	Cap nut M 6 DIN 1587	2
17	014859	Schnorr washer M6	2
18	069284	Handle M10x10	1
19	068237	Angle grab handle Gecko Pure	1
20	070354	Wing screw M 6x16 Gecko Star	2
21	017699	Countersunk screw M6x30 DIN 7991 10.9	2
22	050146	Terminal connecter 2-fold	2
23	053318	Circlip I30 DIN 472	2
24	056594	Steep thread nut Gecko Star/Pure	2
25	056595	Steep thread spindle Gecko Star/Pure	2
26	040268	Castor	2
27	017552	Lens head screw M 6x16 ISO 7380	2
28	017731	Parallel key 6x6x18 DIN 6885	2
29	083824	Hexagon socket wrench 13 mm	1
30	017555	Lens head screw M 3x 6	2
31	017772	Schnorr washer M3	2
32	083821	Spring steel clamp galvanized	2
33	014809	Hexagon nut M6 DIN 934	1
34	083851	Headless pin hexagonal inside	1

### 3 Chassis

Item no.	Article no.	Description	Quantity
35	056376	Countersunk screw M6x40 DIN 7991 10.9	2
36	018091	Circlip I35 DIN472	2
37	081103	LED-Spot Gecko Star	2
38	077014	Knurled nut M 6 DIN 6303	1
39	017724	Washer 6,4 DIN 9021	1
40	048520	Eye screw M 6x40 DIN 444	1
41	066729	Cylinder head screw M 6x 25 ISO 14580	3
42	014827	Washer M 6 DIN 125 A	4
43	061621	Hose support	3

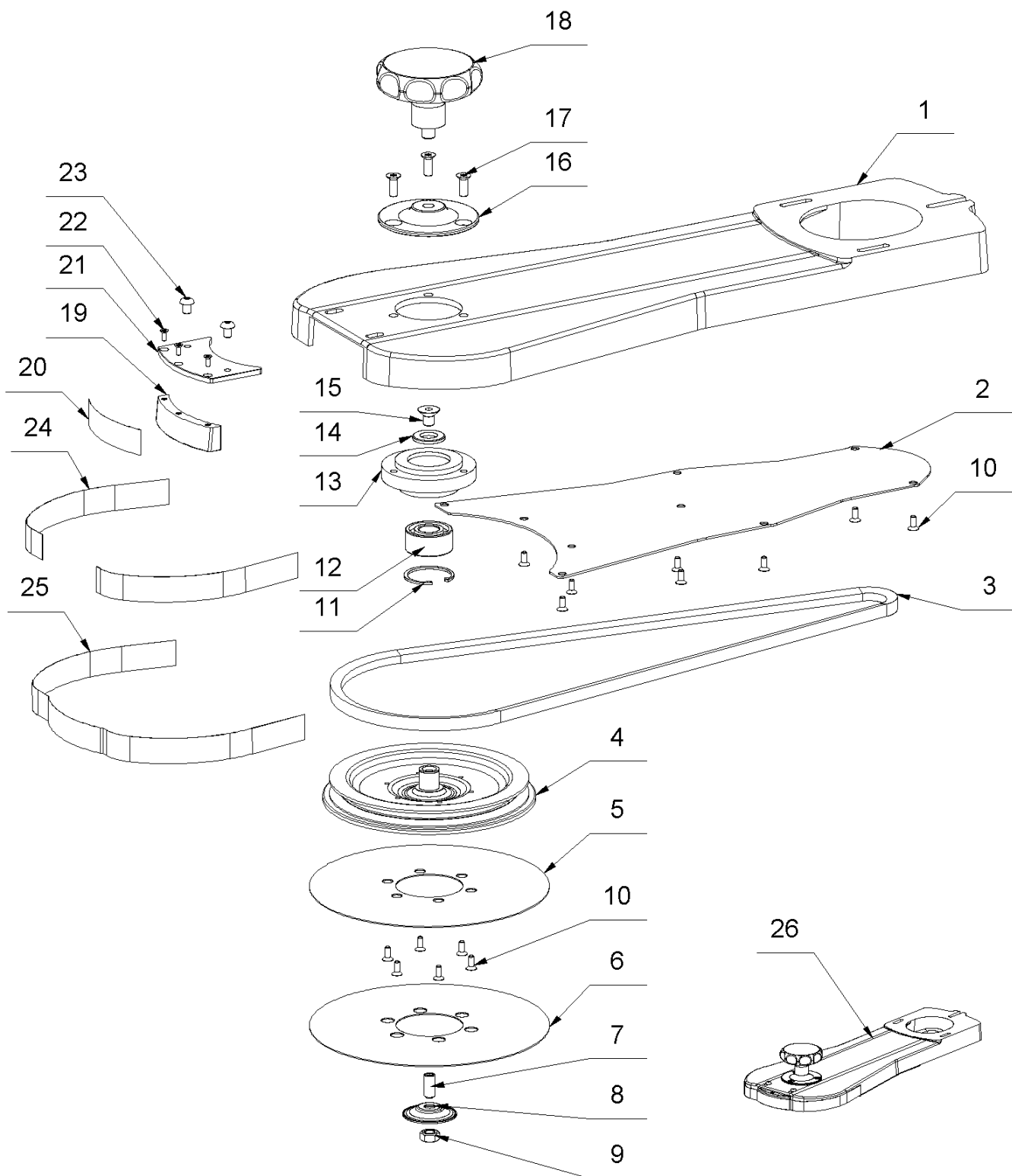
## 4 Short sanding arm Ø178 mm



## 4 Short sanding arm Ø178 mm

Item no.	Article no.	Description	Quantity
1	056573	Short sanding arm Ø178mm GeckoStar	1
2	066634	Cover plate short Ø178mm Gecko Star/Pure	1
3	066719	V-Belt X10 x 612 mm	1
4	056597	Belt pulley Ø178mm Gecko Star/Pure	1
5	048196	Spring steel disc+Hook+loopURS/GeckoStar	1
6	048195	Velcro Disc Ø178mm for URS/Gecko	1
7	014810	Hexagon nut M8 DIN 934	1
8	082888	Clamping washer Gecko Star 2.0	1
9	085623	Headless pin M 8x18 microencapsulated	1
10	066727	Countersunk screw M 4x10 ISO 14581	10
11	018091	Circlip I35 DIN472	1
12	016707	Ball bearing Gecko Star/Pure	1
13	056598	Bearing flange Gecko Star/Pure	1
14	017741	Washer M 14 DIN 125	1
15	038423	Counter sunk screw M8x12 DIN 7991 10.9	1
16	066631	Bearing cover Gecko Star/Pure	1
17	066726	Countersunk screw M 6x16 ISO 14581	3
18	066641	Handle cantilever arm Gecko Star/Pure	1
19	066639	Slide bar Gecko Star/Pure	1
20	070986	Velcro tape for gliders	1
21	066640	Adjusting plate Gecko Star/Pure	1
22	066725	Countersunk screw M 3x 8 ISO 14581	3
23	066728	Fillister head screw M6x 8 ISO7380	2
24	070985	Velcro for Sanding attachment Ø178mm	1
25	070988	Velourtape for Sanding attachment Ø178mm	1
26	065827	Attachment cpl. short Ø178mm Gecko Star	1

## 5 Long sanding arm Ø178 mm

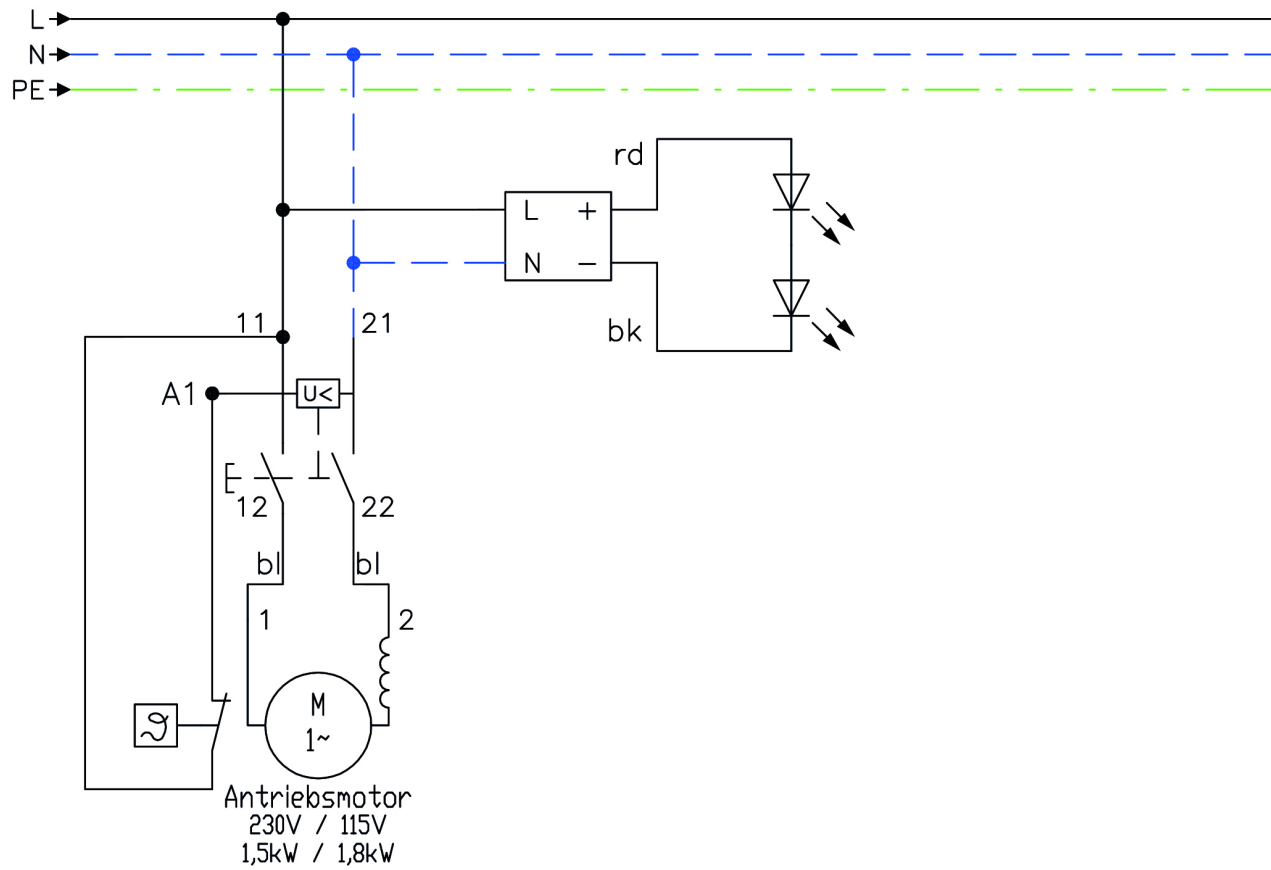




## 5 Long sanding arm Ø178 mm

Item no.	Article no.	Description	Quantity
1	056571	Long sanding arm Ø178 Gecko StarPure	1
2	066635	Cover plate long Ø178mm Gecko Star/Pure	1
3	066718	V-Belt X10 x 1038 mm	1
4	056597	Belt pulley Ø178mm Gecko Star/Pure	1
5	048196	Spring steel disc+Hook+loopURS/GeckoStar	1
6	048195	Velcro Disc Ø178mm for URS/Gecko	1
7	085623	Headless pin M 8x18 microencapsulated	1
8	082888	Clamping washer Gecko Star 2.0	1
9	014810	Hexagon nut M8 DIN 934	1
10	066727	Countersunk screw M 4x10 ISO 14581	15
11	018091	Circlip I35 DIN472	1
12	016707	Ball bearing Gecko Star/Pure	1
13	056598	Bearing flange Gecko Star/Pure	1
14	017741	Washer M 14 DIN 125	1
15	038423	Counter sunk screw M8x12 DIN 7991 10.9	1
16	066631	Bearing cover Gecko Star/Pure	1
17	066726	Countersunk screw M 6x16 ISO 14581	3
18	066641	Handle cantilever arm Gecko Star/Pure	1
19	066639	Slide bar Gecko Star/Pure	1
20	070986	Velcro tape for gliders	1
21	066640	Adjusting plate Gecko Star/Pure	1
22	066725	Countersunk screw M 3x 8 ISO 14581	3
23	066728	Fillister head screw M6x 8 ISO7380	2
24	070985	Velcro for Sanding attachment Ø178mm	1
25	070988	Velourtape for Sanding attachment Ø178mm	1
26	065826	Attachment cpl. long Ø178mm Gecko Star	1

## 6 Circuit diagram



## 6 Circuit diagram

---

## 7 Tool kit

Article no.	Description	Quantity
067309	Screw driver 1/4"	1
067310	Bit Box equipped	1
016725	Tool pocket empty	1
015315	Hearing protectors	1
016732	Fine dust mask Gecko/URS/Cobra	1
067288	Dust bag Gecko Star USA	1
083817	Extens.cord 3G1,5 <sup>2</sup> x10m orange USA	1
048195	Velcro Disc Ø178mm for URS/Gecko	1
073275	Velcro Disc between Ø178mm	1
066719	V-Belt X10 x 612 mm	1
066718	V-Belt X10 x 1038 mm	1