



# PALLMANN®

wood floors. protected

## spare parts list

### Pallmann Hepa Vac 115V USA

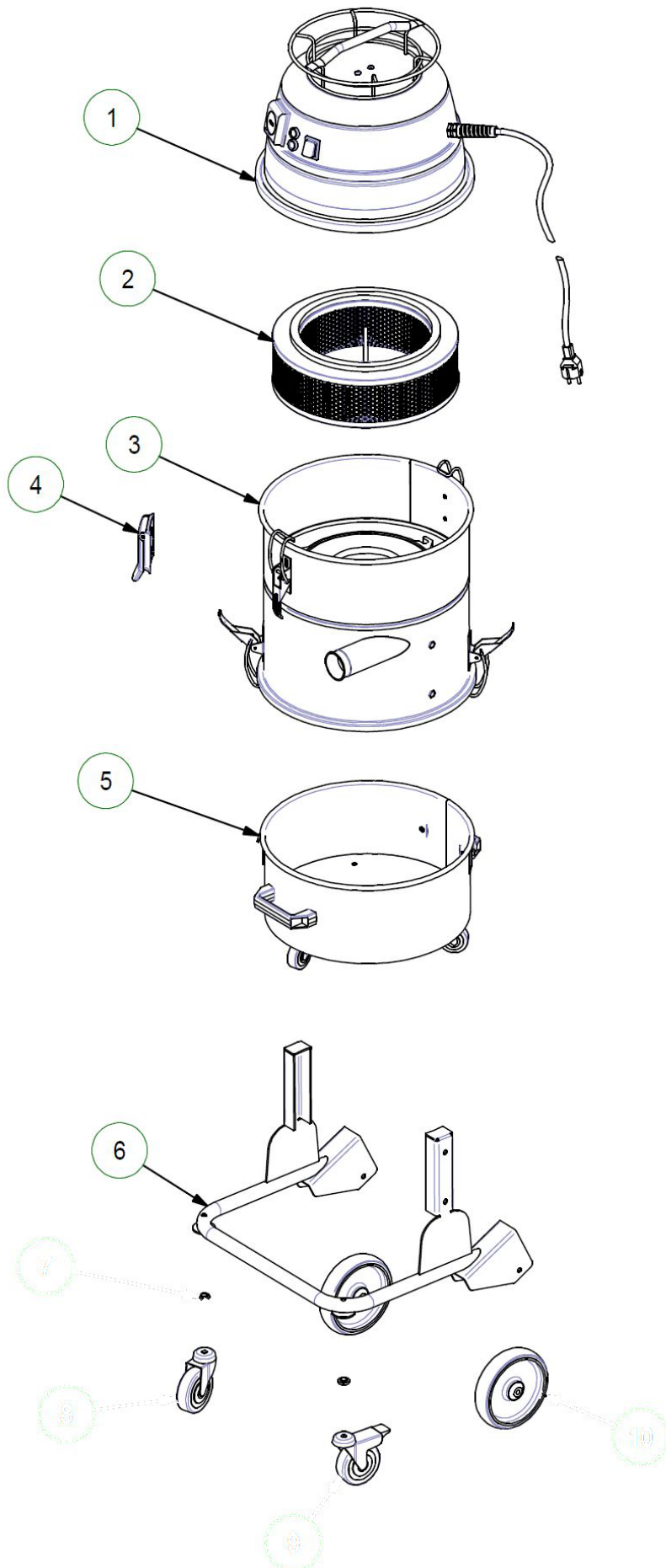


## Table of contents

---

|                                       |    |
|---------------------------------------|----|
| 1 Pallmann Hepa Vac 115V USA (Jan 18) | 3  |
| 1 Motor Head Kit                      | 5  |
| 2 Absolute Filter H                   | 8  |
| 3 Dust Chamber with M Filter          | 10 |
| 4 Flap                                | 12 |
| 5 Dust Container Kit                  | 13 |
| 6 Trolley                             | 15 |
| 7 Accessories                         | 17 |

# 1 Pallmann Hepa Vac 115V USA (Jan 18)

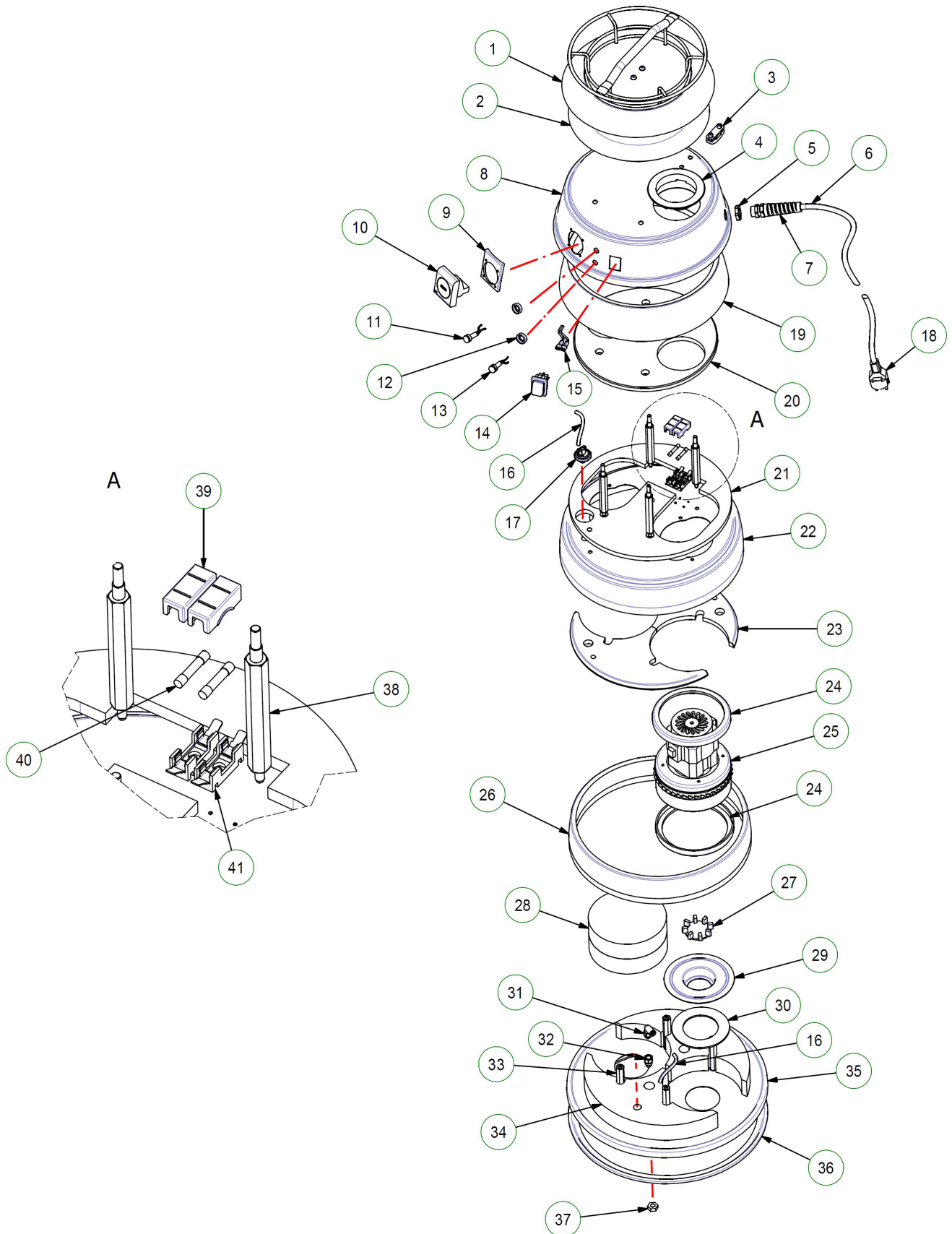


## 1 Pallmann Hepa Vac 115V USA (Jan 18)

---

| Item no. | Article no.  | Description                |
|----------|--------------|----------------------------|
| 1        | 01_01_081153 | Motor Head Kit             |
| 2        | 01_02_081153 | Absolute Filter H          |
| 3        | 01_03_081153 | Dust Chamber with M Filter |
| 4        | 01_04_081153 | Flap                       |
| 5        | 01_05_081153 | Dust Container Kit         |
| 6        | 01_06_081153 | Trolley                    |
| 7        | 01_07_081153 | Accessories                |

# 1 Motor Head Kit



## 1 Motor Head Kit

| Item no. | Article no. | Description                             | Quantity |
|----------|-------------|---|----------|
| 1        | 084590      | Cover with Cable holder Vacu/Hepa       | 1        |
| 2        | 084591      | Insulating mat top Vacuclean            | 1        |
| 3        | 084593      | Cabel Fastener Support Vacuclean/T-Rex  | 1        |
| 4        | 084592      | Cooling Ring Vacuclean/T-Rex            | 1        |
| 5        | 084234      | Plastic nut PG 13,5 SIEHE 19346         | 1        |
| 6        | 069305      | Male 3-Prong Straight Plug 15A 125V USA | 1        |
| 7        | 019347      | Knick protection Vacuclean /T-Rex       | 1        |
| 8        | 086355      | Cover top Hepa Vac                      | 1        |
| 9        | 084688      | Frame Socket Vacuclean1                 | 1        |
| 10       | 086290      | Socket 115V Vacuclean1 USA              | 1        |
| 11       | 042189      | Warning light orange Vacuclean/T-Rex    | 1        |
| 12       | 084594      | Chromed Nut for Light Vacuclean         | 2        |
| 13       | 042186      | Green warning light Vacuclean/T-Rex     | 1        |
| 14       | 060516      | Switch red Vacuclean /T-Rex             | 1        |
| 15       | 084604      | Cable air pressure switch Vacuclean     | 1        |
| 16       | 084601      | PU hose 6x4 Vacuclean/T-Rex             | 1        |
| 17       | 084607      | Pressure switch Vacuclean/T-Rex         | 1        |
| 18       | 069305      | Male 3-Prong Straight Plug 15A 125V USA | 1        |
| 19       | 084597      | Cover Noise Buffering top Vacuclean     | 1        |
| 20       | 084598      | Insulating mat center Vacuclean         | 1        |
| 21       | 084608      | Insulating mat Motor Vacuclean          | 1        |
| 22       | 084610      | Motor Cover Vacuclean                   | 1        |
| 23       | 084611      | Insulating mat below Vacuclean          | 2        |
| 24       | 019356      | Gasket Motor 145x5 Vacuclean/T-Rex      | 2        |
| 25       | 084456      | Motor 115V 50-60Hz Vacuclean/T-REX      | 1        |
| 26       | 084613      | Cover Noise Buffering below Vacu.       | 1        |
| 27       | 084614      | Valve Bottom Plate Vacuclean/T-Rex      | 1        |
| 28       | 084691      | Motor Gasket Vacuclean                  | 1        |
| 29       | 084615      | Bottom Plate Motor Vacuclean/T-Rex      | 1        |
| 30       | 084616      | Bottom Plate Gasket Vacuclean/T-Rex     | 1        |
| 31       | 084619      | Rotary joint Vacuclean                  | 1        |
| 32       | 084620      | Extension Vacuclean                     | 1        |
| 33       | 084621      | Spacer motor outside Vacuclean/T-Rex    | 4        |
| 34       | 084622      | Cover Noise Buffering Plate Vacuclean   | 2        |

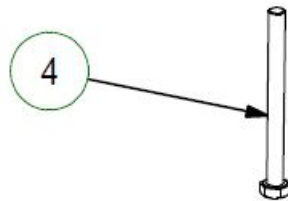
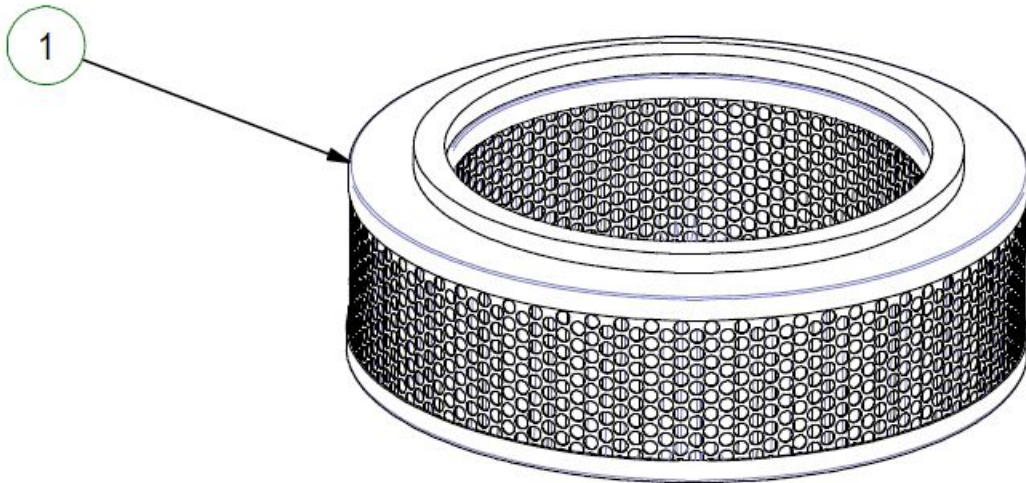
## 1 Motor Head Kit

---

| Item no. | Article no. | Description                  | Quantity |
|----------|-------------|------------------------------|----------|
| 35       | 084623      | Base Plate Vacuclean         | 1        |
| 36       | 084624      | Gasket Base Plate Vacuclean  | 1        |
| 37       | 084626      | Hexagon nut Vacuclean        | 1        |
| 38       | 084628      | Spacer for Cover Vacuclean   | 4        |
| 39       | 084631      | Fusecover Vacuclean/T-Rex    | 2        |
| 40       | 084632      | Fuse 15A 115V Vacuclean      | 2        |
| 41       | 060517      | Fuse holder Vacuclean /T-Rex | 2        |

## 2 Absolute Filter H

---





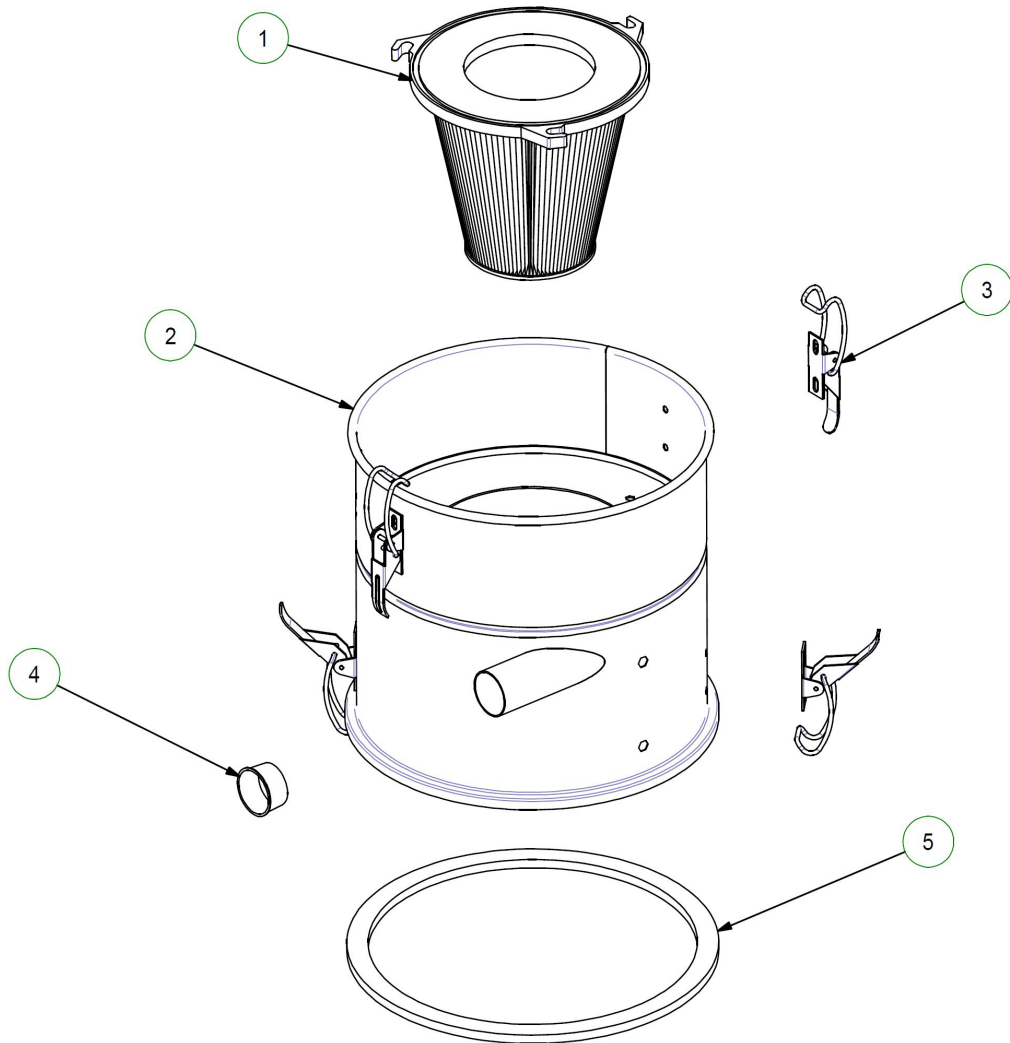
## 2 Absolute Filter H

---

| Item no. | Article no. | Description                  | Quantity |
|----------|-------------|------------------------------|----------|
| 1        | 084303      | Filter H14/HEPA f.Vacuclean1 | 1        |
| 2        | 084634      | Rubber enforcement Vacuclean | 1        |
| 3        | 084635      | Washer H Filter Vacuclean    | 1        |
| 4        | 082985      | Screw 8X90 for HEPA Filter   | 1        |

### 3 Dust Chamber with M Filter

---



### 3 Dust Chamber with M Filter

---

| Item no. | Article no. | Description                      | Quantity |
|----------|-------------|----------------------------------|----------|
| 1        | 084524      | CARTRIDGE FILTER "M" Vacuclean 1 | 1        |
| 2        | 086356      | Filter chamber Hepa Vac          | 1        |
| 3        | 019377      | Lock Vacuclean / T-Rex           | 4        |
| 4        | 084695      | Cover PVC Ø40 Vacuclean 1        | 1        |
| 5        | 084696      | Adhesive Gasket Vacuclean 1      | 1        |

## 4 Flap

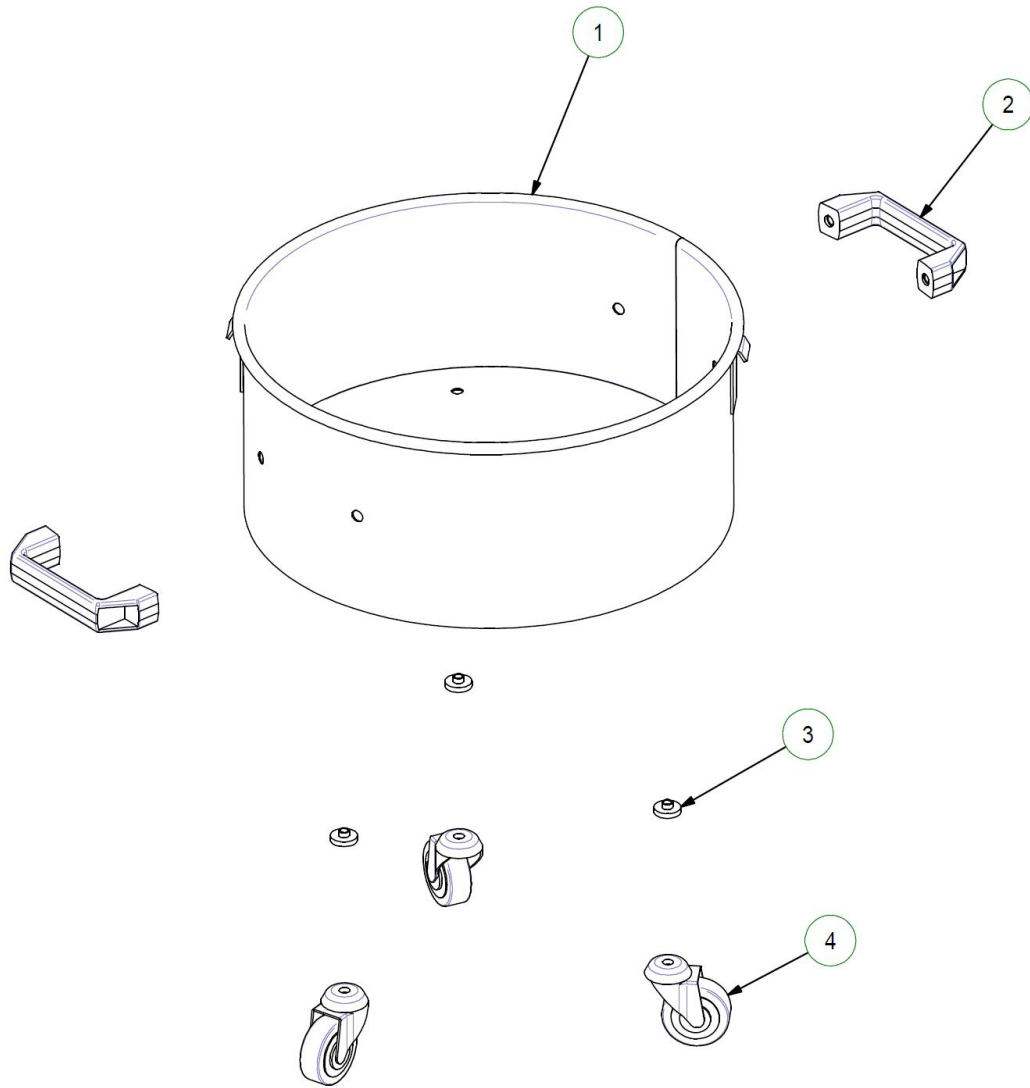
---

| Item no. | Article no. | Description        | Quantity |
|----------|-------------|--------------------|----------|
| 1        | 084585      | Flap Ø50 Vacuclean | 1        |

---

## 5 Dust Container Kit

---



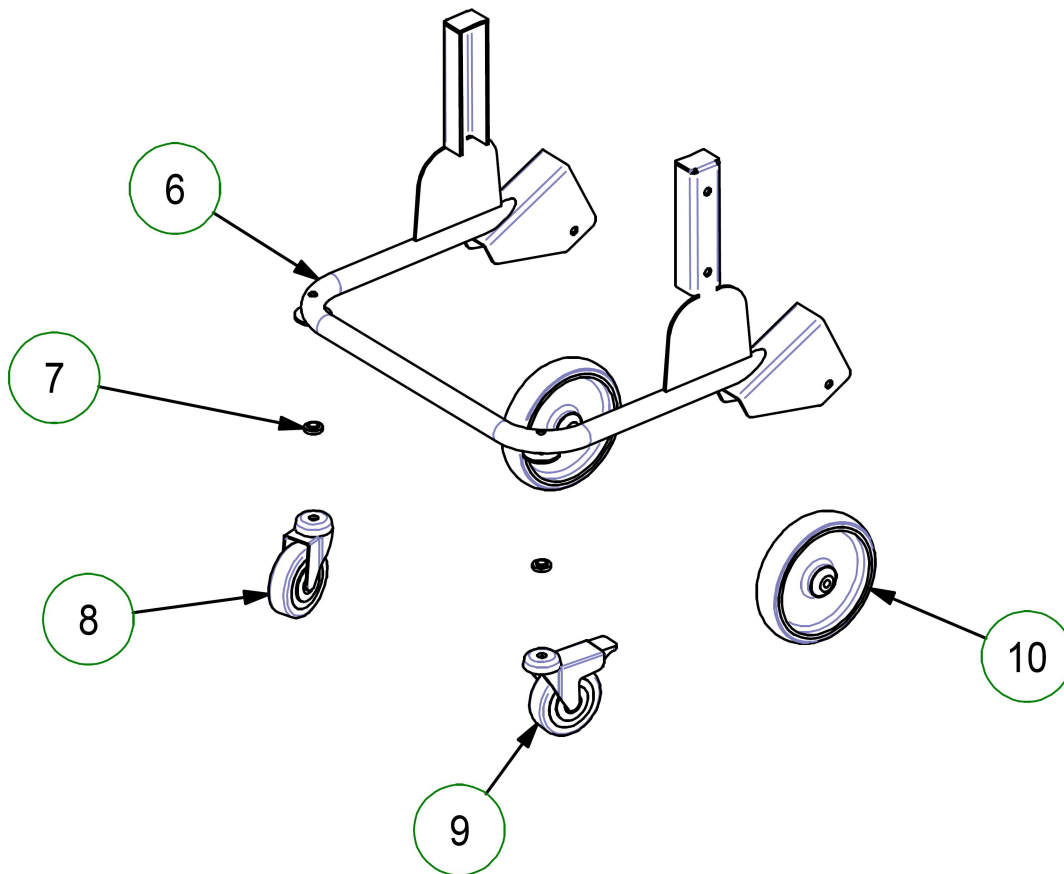
## 5 Dust Container Kit

---

| Item no. | Article no. | Description                     | Quantity |
|----------|-------------|---------------------------------|----------|
| 1        | 086357      | Container Kit Hepa Vac          | 1        |
| 2        | 083842      | Plastic handgrip Vacuclean      | 2        |
| 3        | 084698      | Toothed washer Vacuclean        | 3        |
| 4        | 083036      | Castor bucket Ø50mm f.Vacuclean | 3        |

## 6 Trolley

---



## 6 Trolley

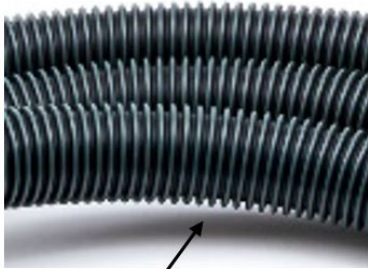
---

| Item no. | Article no. | Description                         | Quantity |
|----------|-------------|-------------------------------------|----------|
| 6        | 086358      | Chassis Hepa Vac                    | 1        |
| 7        | 084685      | Adapter disc steering Vacuclean 1   | 2        |
| 8        | 083448      | Rubber Wheel Black Ø80mm Vacuclean1 | 1        |
| 9        | 083034      | Wheel with brake Ø80mm Vacuclean1   | 1        |
| 10       | 083033      | Wheel Ø150mm for Vacuclean          | 2        |



## 7 Accessories

---



## 7 Accessories

---

| Item no. | Article no. | Description                              | Quantity |
|----------|-------------|--|----------|
| 1        | 083509      | Reducer 50/38mm for Vacuclean            | 1        |
| 2        | 083510      | Hose connection rubber for Vacuclean 1   | 1        |
| 3        | 083511      | Anti -Static 5m Hose Ø 38mm              | 1        |
| 4        | 083512      | Hand brush for Vacuclean 1               | 1        |
| 5        | 083513      | Suction tube Vacuclean 1                 | 1        |
| 6        | 083514      | Floor nozzle Plastic Ø38mm f. Vacuclean1 | 1        |